

บริษัท นีโอ แบริ่ง ซีพพลาย จำกัด

1192/3 ซอยวชิรธรรมสาธิต 57 แขวงบางจาก เขตพระโขนง กทม. 10260

โทร. 02 185 4445 | Line @neobearing | www.neobearingsupply.com

# ZSG

PRODUCT CATALOGUE

产品目录

STAINLESS STEEL BEARING UNITS

不锈钢带座外球面轴承



# 目录 | CONTENTS

## 不锈钢带座外球面轴承

### STAINLESS STEEL BEARING UNITS

SUCP200	1
SUCP300	2
SUCPX00	3
SUCLP200	4
SUCPA200	5
SUCPW200	6
SUCTB200	7
SUCPH200	8
SUCF200	9
SUCF300	10
SUCFX00	11
SUCFS200	12
SUCFS300	13
SUCFL200	14
SUCFL300	15
SUCFT200	16
SHCFLU200	17
SUCFC200	18
SUCFCX00	19
SUCT200	20
SUCT300	21
SUCST200	22
SUCHA200	23
SUCFA200	24
SUCFB200	25
SUCFK200	26
SUCC200	27
SUCC300	28
SSBLF200/SSBLFL0	29
SSBTM200/SSBFCT200	30
SSBFD200/SSBFX200	31
SHCCJTZ200	32
SUCME200	33
SSBFTN200/SSBFN200	34
SSACFTR200	35
SKFL000	36
SKP000	37
SUFL000	38
SUP000	39
SCC200/SCO200	40

## 不锈钢冲压带座轴承

### STAINLESS STEEL PRESSING BEARING UNITS

SSBPP200	41
SSBPFL200	41
SSBPF200	42
SSBPFT200	43

## 锌合金带座轴承

### ZINC ALLOY BEARING UNITS

UP000	44
UFL000	44
KP000	45
KFL000	45

## 塑料带座轴承

### PLASTIC BEARING UNITS

UCPPL200	46
UCFPL200	47
UCFLPL200	48
UCFCPL200	49
UCTPL200	50
UCECHPL200	51
UCPAPL200	52
UCFBPL200	53
SSBLFPL200	54
EC200(C)/EC200(0)	55

## 不锈钢外球面轴承

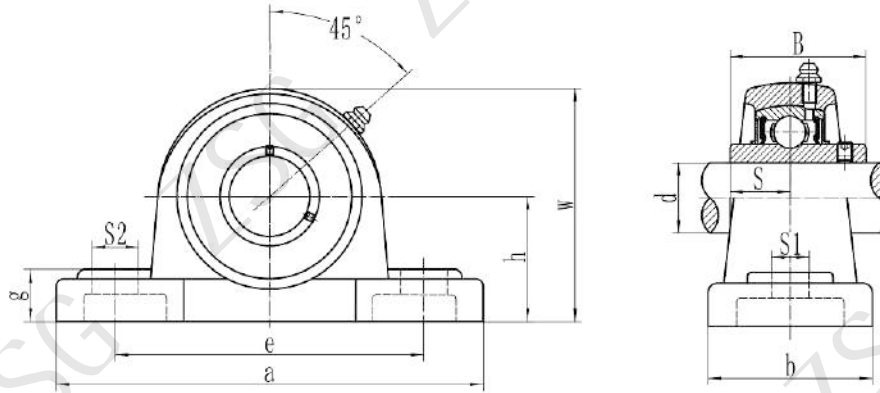
### STAINLESS STEEL BEARINGS

SUC200	56
SUC300	57
SUCX00	58
SHC200	59
SUK200	60
SSER200	61
SSA200	62
SSB200	63
SSC200	64
SK000	65
SU000	66
K000	67
U000	68

# 不锈钢带座外球面轴承

## STAINLESS STEEL BEARING UNITS

### SUCP200

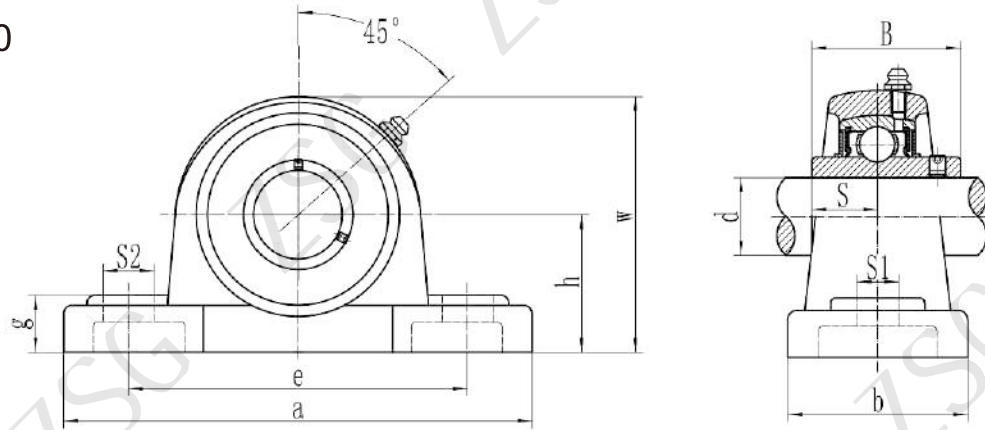


带座轴承型号 Bearing Unit No.	轴径 Bore Dia		外形尺寸 (毫米) Dimensions (mm)										轴承 Bearing No.	轴承座 Housing No.	重量 Weight (kg)
	d		h	a	e	b	S <sub>1</sub>	S <sub>2</sub>	g	W	S	B			
	in	mm													
SUCP201 SUCP201-8 SUCP202 SUCP202-10 SUCP203 SUCP203-11	1/2 5/8 11/16	12 15 17	33.3	127	96	36	13	19	13	60	12.7	31	SUC201 SUC201-8 SUC202 SUC202-10 SUC203 SUC203-11	SP203	0.75
SUCP204 SUCP204-12	3/4	20	33.3	127	95	38	13	19	14	65	12.7	31	SUC204 SUC204-12	SP204	0.73
SUCP205 SUCP205-14 SUCP205-15 SUCP205-16	7/8 15/16 1	25	36.5	140	105	38	13	19	15	71	14.3	34.1	SUC205 SUC205-14 SUC205-15 SUC205-16	SP205	0.91
SUCP206 SUCP206-17 SUCP206-18 SUCP206-19 SUCP206-20	1-1/16 1-1/8 1-3/16 1-1/4	30	42.9	165	121	47	17	21	17	83	15.9	38.1	SUC206 SUC206-17 SUC206-18 SUC206-19 SUC206-20	SP206	1.32
SUCP207 SUCP207-20 SUCP207-21 SUCP207-22 SUCP207-23	1-1/4 1-5/16 1-3/8 1-7/16	35	47.6	167	127	48	17	21	18	93	17.5	42.9	SUC207 SUC207-20 SUC207-21 SUC207-22 SUC207-23	SP207	1.72
SUCP208 SUCP208-24 SUCP208-25	1-1/2 1-9/16	40	49.2	184	137	54	17	21	18	100	19.0	49.2	SUC208 SUC208-24 SUC208-25	SP208	2.14
SUCP209 SUCP209-26 SUCP209-27 SUCP209-28	1-5/8 1-11/16 1-3/4	45	54.0	190	146	54	17	21	20	106	19.0	49.2	SUC209 SUC209-26 SUC209-27 SUC209-28	SP209	2.45
SUCP210 SUCP210-29 SUCP210-30 SUCP210-31 SUCP210-32	1-13/16 1-7/8 1-15/16 2	50	57.2	206	159	60	20	25	22	114	19.0	51.6	SUC210 SUC210-29 SUC210-30 SUC210-31 SUC210-32	SP210	3.10
SUCP211 SUCP211-32 SUCP211-33 SUCP211-34 SUCP211-35	2 2-1/16 2-1/8 2-3/16	55	63.5	219	171	60	20	25	23	126	22.2	55.6	SUC211 SUC211-32 SUC211-33 SUC211-34 SUC211-35	SP211	3.85
SUCP212 SUCP212-36 SUCP212-37 SUCP212-38 SUCP212-39	2-1/4 2-5/16 2-3/8 2-7/16	60	69.8	241	184	70	20	25	25	137	25.4	65.1	SUC212 SUC212-36 SUC212-37 SUC212-38 SUC212-39	SP212	5.10
SUCP213 SUCP213-40 SUCP213-41	2-1/2 2-9/16	65	76.2	265	203	70	25	30	27	150	25.4	65.1	SUC213 SUC213-40 SUC213-41	SP213	6.26
SUCP214 SUCP214-42 SUCP214-43 SUCP214-44	2-5/8 2-11/16 2-3/4	70	79.4	265	210	72	25	30	27	155	30.2	74.6	SUC214 SUC214-42 SUC214-43 SUC214-44	SP214	6.90
SUCP215 SUCP215-45 SUCP215-46 SUCP215-47 SUCP215-48	2-13/16 2-7/8 2-15/16 3	75	82.6	274	217	74	25	31	28	162	33.3	77.8	SUC215 SUC215-45 SUC215-46 SUC215-47 SUC215-48	SP215	7.62
SUCP216 SUCP216-50	3-1/8	80	88.9	292	232	78	25	31	30	172	33.3	82.6	SUC216 SUC216-50	SP216	9.03
SUCP217 SUCP217-52	3-1/4	85	95.2	309	247	83	25	31	32	186	34.1	85.7	SUC217 SUC217-52	SP217	11.28
SUCP218 SUCP218-56	3-1/2	90	101.6	326	262	88	27	36	33	198	39.7	96	SUC218 SUC218-56	SP218	13.45

# 不锈钢带座外球面轴承

## STAINLESS STEEL BEARING UNITS

SUCP300

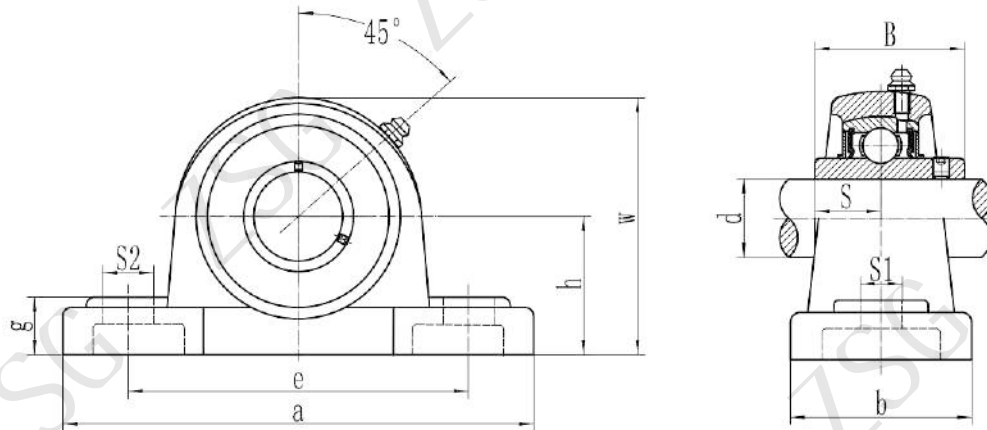


带座轴承型号 Bearing Unit No.	轴径 Bore Dia		外形尺寸 (毫米) Dimensions (mm)										轴承 Bearing No.	轴承座 Housing No.	重量 Weight (kg)
	d		h	a	e	b	S <sub>1</sub>	S <sub>2</sub>	g	W	S	B			
	in	mm													
SUCP305 SUCP305-14 SUCP305-15 SUCP305-16	7/8 15/16 1	25	45	175	132	45	17	20	15	85	15	38.0	SUC305 SUC305-14 SUC305-15 SUC305-16	SP305	1.52
SUCP306 SUCP306-18 SUCP306-19	1-1/8 1-3/16	30	50	180	140	50	17	20	18	95	17	43	SUC306 SUC306-18 SUC306-19	SP306	1.92
SUCP307 SUCP307-20 SUCP307-21 SUCP307-22	1-1/4 1-5/16 1-3/8	35	56	210	160	56	17	25	20	106	19.0	48	SUC307 SUC307-20 SUC307-21 SUC307-22	SP307	2.66
SUCP308 SUCP308-24 SUCP308-25	1-1/2 1-9/16	40	60	220	170	60	17	27	22	116	19.0	52	SUC308 SUC308-24 SUC308-25	SP308	3.50
SUCP309 SUCP309-26 SUCP309-27 SUCP309-28	1-5/8 1-11/16 1-3/4	45	67	245	190	67	20	30	24	129	22	57	SUC309 SUC309-26 SUC309-27 SUC309-28	SP309	4.68
SUCP310 SUCP310-30 SUCP310-31	1-7/8 1-15/16	50	75	275	212	75	20	35	27	143	22	61	SUC310 SUC310-30 SUC310-31	SP310	6.44
SUCP311 SUCP311-32 SUCP311-34 SUCP311-35	2 2-1/8 2-3/16	55	80	310	236	80	20	38	30	154	25	66	SUC311 SUC311-32 SUC311-34 SUC311-35	SP311	7.69
SUCP312 SUCP312-36 SUCP312-38 SUCP312-39	2-1/4 2-3/8 2-7/16	60	85	330	250	85	25	38	32	165	26	71	SUC312 SUC312-36 SUC312-38 SUC312-39	SP312	9.40
SUCP313 SUCP313-40	2-1/2	65	90	340	260	90	25	38	33	176	30	75	SUC313 SUC313-40	SP313	11.70
SUCP314 SUCP314-44	2-3/4	70	95	360	280	90	27	40	35	187	33	78	SUC314 SUC314-44	SP314	13.40
SUCP315 SUCP315-48	3	75	100	380	290	100	27	40	35	198	32	82	SUC315 SUC315-48	SP315	15.40
SUCP316 SUCP316-50	3-1/8	80	106	400	300	110	27	40	40	210	34	86	SUC316 SUC316-50	SP316	18.95
SUCP317 SUCP317-52	3-1/4	85	112	420	320	110	33	45	40	220	40	96	SUC317 SUC317-52	SP317	21.50
SUCP318 SUCP318-56	3-1/2	90	118	430	330	110	33	45	45	235	40	96	SUC318 SUC318-56	SP318	24.70
SUCP319 SUCP319-60	3-3/4	95	125	470	360	120	36	50	45	250	41	103	SUC319 SUC319-60	SP319	29.75
SUCP320 SUCP320-64	4	100	140	490	380	120	36	50	50	275	42	108	SUC320 SUC320-64	SP320	37.28
SUCP321	/	105	140	490	380	120	36	50	50	280	44	112	SUC321	SP321	37.30
SUCP322	/	110	150	520	400	140	40	55	55	300	46	117	SUC322	SP322	46.50
SUCP324	/	120	160	570	450	140	40	55	65	320	51	126	SUC324	SP324	57.70
SUCP326	/	130	180	600	480	140	40	55	75	355	54	135	SUC326	SP326	75.30
SUCP328	/	140	200	620	500	140	40	55	75	390	59	145	SUC328	SP328	92.90

# 不锈钢带座外球面轴承

## STAINLESS STEEL BEARING UNITS

SUCPX00

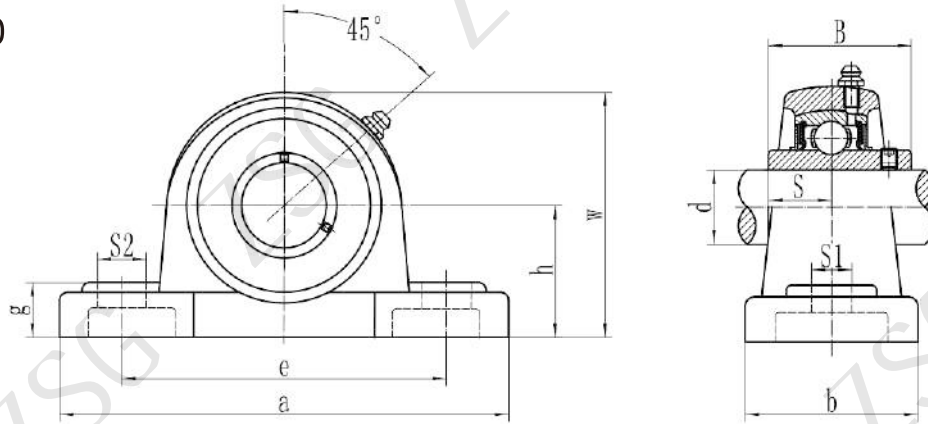


带座轴承型号 Bearing Unit No.	轴径 Bore Dia		外形尺寸 (毫米) Dimensions (mm)										轴承 Bearing No.	轴承座 Housing No.	重量 Weight (kg)
	d		h	a	e	b	S <sub>1</sub>	S <sub>2</sub>	g	W	S	B			
	in	mm													
SUCPX05 SUCPX05-14 SUCPX05-15 SUCPX05-16	7/8 15/16 1	25	44.45	159	119	51	17	25	18	85	15.9	38.1	SUCX05 SUCX05-14 SUCX05-15 SUCX05-16	SPX05	1.48
SUCPX06 SUCPX06-17 SUCPX06-18 SUCPX06-19 SUCPX06-20	1-1/16 1-1/8 1-3/16 1-1/4	30	47.6	175	127	57	17	25	20	94	17.5	42.9	SUCX06 SUCX06-17 SUCX06-18 SUCX06-19 SUCX06-20	SPX06	1.99
SUCPX07 SUCPX07-20 SUCPX07-21 SUCPX07-22 SUCPX07-23	1-1/4 1-5/16 1-3/8 1-7/16	35	54	203	144	57	17	30	22	105	19.0	49.2	SUCX07 SUCX07-20 SUCX07-21 SUCX07-22 SUCX07-23	SPX07	2.57
SUCPX08 SUCPX08-24 SUCPX08-25	1-1/2 1-9/16	40	58.7	222	156	67	20	32	26	113	19.0	49.2	SUCX08 SUCX08-24 SUCX08-25	SPX08	3.12
SUCPX09 SUCPX09-26 SUCPX09-27 SUCPX09-28	1-5/8 1-11/16 1-3/4	45	58.7	222	156	67	20	33	26	116	19.0	51.6	SUCX09 SUCX09-26 SUCX09-27 SUCX09-28	SPX09	3.58
SUCPX10 SUCPX10-29 SUCPX10-30 SUCPX10-31 SUCPX10-32	1-13/16 1-7/8 1-15/16 2	50	63.5	241	171	73	20	37	27	126	22.2	55.6	SUCX10 SUCX10-29 SUCX10-30 SUCX10-31 SUCX10-32	SPX10	4.81
SUCPX11 SUCPX11-32 SUCPX11-33 SUCPX11-34 SUCPX11-35	2 2-1/16 2-1/8 2-3/16	55	69.8	260	184	79	25	37	30	139	25.4	65.1	SUCX11 SUCX11-32 SUCX11-33 SUCX11-34 SUCX11-35	SPX11	6.15
SUCPX12 SUCPX12-36 SUCPX12-37 SUCPX12-38 SUCPX12-39	2-1/4 2-5/16 2-3/8 2-7/16	60	76.2	286	203	83	25	41	32	151	25.4	65.1	SUCX12 SUCX12-36 SUCX12-37 SUCX12-38 SUCX12-39	SPX12	7.10
SUCPX13 SUCPX13-40 SUCPX13-41	2-1/2 2-9/16	65	76.2	286	203	83	25	41	32	151	30.2	74.6	SUCX13 SUCX13-40 SUCX13-41	SPX13	7.42
SUCPX14 SUCPX14-42 SUCPX14-43 SUCPX14-44	2-5/8 2-11/16 2-3/4	70	88.9	330	229	89	27	51	35	172	33.3	77.8	SUCX14 SUCX14-42 SUCX14-43 SUCX14-44	SPX14	8.60
SUCPX15 SUCPX15-45 SUCPX15-46 SUCPX15-47 SUCPX15-48	2-13/16 2-7/8 2-15/16 3	75	88.9	330	232	89	27	51	35	174	33.3	82.6	SUCX15 SUCX15-45 SUCX15-46 SUCX15-47 SUCX15-48	SPX15	10.59
SUCPX16 SUCPX16-50	3-1/8	80	101.6	381	283	102	27	59	42	197	34.1	85.7	SUCX16 SUCX16-50	SPX16	13.16
SUCPX17 SUCPX17-52	3-1/4	85	101.6	381	283	102	27	59	42	202	39.7	96	SUCX17 SUCX17-52	SPX17	16.21
SUCPX18 SUCPX18-56	3-1/2	90	101.6	381	283	111	27	60	45	206	42.9	104	SUCX18 SUCX18-56	SPX18	17.60
SUCPX20 SUCPX20-64	4	100	127	432	337	121	33	64	52	250	49.2	117.5	SUCX20 SUCX20-64	SPX20	29.80

# 不锈钢带座外球面轴承

## STAINLESS STEEL BEARING UNITS

### SUCLP200

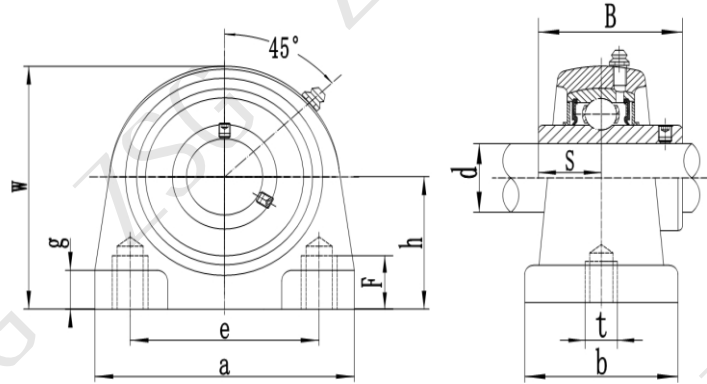


带座轴承型号 Bearing Unit No.	轴径 Bore Dia		外形尺寸 (毫米) Dimensions (mm)									轴承 Bearing No.	轴承座 Housing No.	重量 Weight (kg)	
	d		h	a	e	b	S <sub>1</sub>	S <sub>2</sub>	g	W	S				B
	in	mm													
SUCLP201S SUCLP201-8S SUCLP202S SUCLP202-10S SUCLP203S SUCLP203-11S	1/2 5/8 11/16	12 15 17	27	121	89	29	12.7	16	13	56	10	26	SUC201S SUC201-8S SUC202S SUC202-10S SUC203S SUC203-11S	SLP203	0.54
SUCLP201 SUCLP201-8 SUCLP202 SUCLP202-10 SUCLP203 SUCLP203-11 SUCLP204 SUCLP204-12	1/2 5/8 11/16 3/4	12 15 17 20	31.8	133	98	32	12.7	19	13	65	12.7	31	SUC201 SUC201-8 SUC202 SUC202-10 SUC203 SUC203-11 SUC204 SUC204-12	SLP204	0.78
SUCLP205 SUCLP205-14 SUCLP205-15 SUCLP205-16	7/8 15/16 1	25	33.3	140	105	38	12.7	19	16	68	14.3	34.1	SUC205 SUC205-14 SUC205-15 SUC205-16	SLP205	0.93
SUCLP206 SUCLP206-17 SUCLP206-18 SUCLP206-19 SUCLP206-20	1-1/16 1-1/8 1-3/16 1-1/4	30	39.7	165	124	41	15	22	17.5	81	15.9	38.1	SUC206 SUC206-17 SUC206-18 SUC206-19 SUC206-20	SLP206	1.27
SUCLP207 SUCLP207-20 SUCLP207-21 SUCLP207-22 SUCLP207-23	1-1/4 1-5/16 1-3/8 1-7/16	35	46	178	136	48	15	22	19	94	17.5	42.9	SUC207 SUC207-20 SUC207-21 SUC207-22 SUC207-23	SLP207	1.85
SUCLP208 SUCLP208-24 SUCLP208-25	1-1/2 1-9/16	40	49.2	184	143	51	15	22	21	100	19.0	49.2	SUC208 SUC208-24 SUC208-25	SLP208	2.19
SUCLP209 SUCLP209-26 SUCLP209-27 SUCLP209-28	1-5/8 1-11/16 1-3/4	45	52.4	197	152	54	15	25.4	21	106	19.0	49.2	SUC209 SUC209-26 SUC209-27 SUC209-28	SLP209	2.50
SUCLP210 SUCLP210-29 SUCLP210-30 SUCLP210-31 SUCLP210-32	1-13/16 1-7/8 1-15/16 2	50	55.6	213	165	57	15	25.4	22	113	19.0	51.6	SUC210 SUC210-29 SUC210-30 SUC210-31 SUC210-32	SLP210	3.20
SUCLP211 SUCLP211-32 SUCLP211-33 SUCLP211-34 SUCLP211-35	2 2-1/16 2-1/8 2-3/16	55	61.9	235	181	64	19	29	25.4	125	22.2	55.6	SUC211 SUC211-32 SUC211-33 SUC211-34 SUC211-35	SLP211	4.12
SUCLP212 SUCLP212-36 SUCLP212-37 SUCLP212-38 SUCLP212-39	2-1/4 2-5/16 2-3/8 2-7/16	60	68.3	248	194	70	19	29	28	138	25.4	65.1	SUC212 SUC212-36 SUC212-37 SUC212-38 SUC212-39	SLP212	5.43
SUCLP213 SUCLP213-40 SUCLP213-41	2-1/2 2-9/16	65	68.3	248	194	70	19	29	28	138	25.4	65.1	SUC213 SUC213-40 SUC213-41	SLP213	6.10
SUCLP214 SUCLP214-42 SUCLP214-43 SUCLP214-44	2-5/8 2-11/16 2-3/4	70	82.6	298	232	82	21	32	35	167	30.2	74.6	SUC214 SUC214-42 SUC214-43 SUC214-44	SLP214	7.65
SUCLP215 SUCLP215-45 SUCLP215-46 SUCLP215-47 SUCLP215-48	2-13/16 2-7/8 2-15/16 3	75	82.6	298	232	82	21	32	35	167	33.3	77.8	SUC215 SUC215-45 SUC215-46 SUC215-47 SUC215-48	SLP215	8.27

# 不锈钢带座外球面轴承

## STAINLESS STEEL BEARING UNITS

### SUCPA200

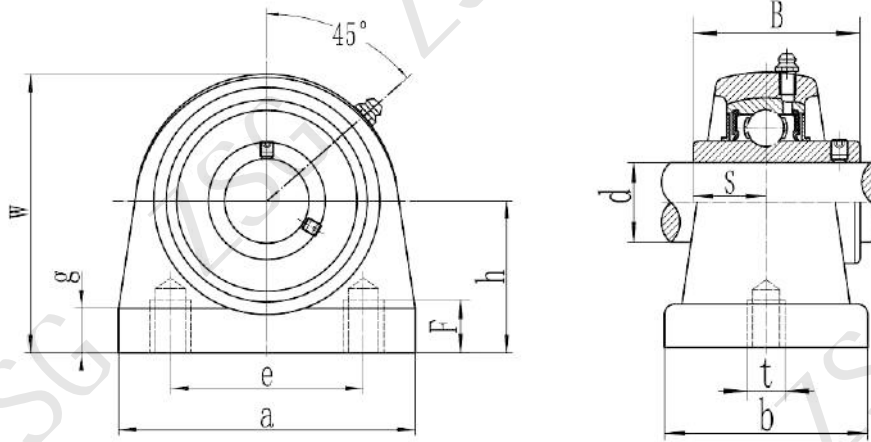


带座轴承型号 Bearing Unit No.	轴径 Bore Dia		外形尺寸 (毫米) Dimensions (mm)									轴承 Bearing No.	轴承座 Housing No.	重量 Weight (kg)	
	d		h	a	e	b	g	W	F	t	S				B
	in	mm													
SUCPA201		12											SUC201		
SUCPA201-8	1/2	15											SUC201-8		
SUCPA202		15	30.2	76	52	40	11	62	13	M10	12.7	31	SUC202	SPA203	0.60
SUCPA202-10	5/8	17											SUC202-10		
SUCPA203		17											SUC203		
SUCPA203-11	11/16	20											SUC203-11		
SUCPA204		20	30.2	76	52	40	11	62	13	M10	12.7	31	SUC204	SPA204	0.57
SUCPA204-12	3/4	25											SUC204-12		
SUCPA205		25	36.5	84	56	38	12	72	15	M10	14.3	34.1	SUC205	SPA205	0.81
SUCPA205-14	7/8	30											SUC205-14		
SUCPA205-15	15/16	35											SUC205-15		
SUCPA205-16	1	40											SUC205-16		
SUCPA206		30	42.9	94	66	50	12	84	18	M14	15.9	38.1	SUC206	SPA206	1.17
SUCPA206-17	1-1/16	35											SUC206-17		
SUCPA206-18	1-1/8	40											SUC206-18		
SUCPA206-19	1-3/16	45											SUC206-19		
SUCPA206-20	1-1/4	50											SUC206-20		
SUCPA207		35	47.6	109	80	55	13	95	20	M14	17.5	42.9	SUC207	SPA207	1.65
SUCPA207-20	1-1/4	40											SUC207-20		
SUCPA207-21	1-5/16	45											SUC207-21		
SUCPA207-22	1-3/8	50											SUC207-22		
SUCPA207-23	1-7/16	55											SUC207-23		
SUCPA208		40	49.2	116	84	58	13	100	20	M14	19.0	49.2	SUC208	SPA208	1.90
SUCPA208-24	1-1/2	45											SUC208-24		
SUCPA208-25	1-9/16	50											SUC208-25		
SUCPA209		45	54.2	120	90	60	13	108	25	M14	19.0	49.2	SUC209	SPA209	2.17
SUCPA209-26	1-5/8	50											SUC209-26		
SUCPA209-27	1-11/16	55											SUC209-27		
SUCPA209-28	1-3/4	60											SUC209-28		
SUCPA210		50	57.2	130	94	64	14	116	25	M16	19.0	51.6	SUC210	SPA210	2.73
SUCPA210-29	1-13/16	55											SUC210-29		
SUCPA210-30	1-7/8	60											SUC210-30		
SUCPA210-31	1-15/16	65											SUC210-31		
SUCPA210-32	2	70											SUC210-32		
SUCPA211		55	63.5	140	104	66	14	125	25	M16	22.2	55.6	SUC211	SPA211	3.37
SUCPA211-32	2	60											SUC211-32		
SUCPA211-33	2-1/16	65											SUC211-33		
SUCPA211-34	2-1/8	70											SUC211-34		
SUCPA211-35	2-3/16	75											SUC211-35		
SUCPA212		60	69.9	150	114	68	15	138	25	M16	25.4	65.1	SUC212	SPA212	4.37
SUCPA212-36	2-1/4	65											SUC212-36		
SUCPA212-37	2-5/16	70											SUC212-37		
SUCPA212-38	2-3/8	75											SUC212-38		
SUCPA212-39	2-7/16	80											SUC212-39		
SUCPA213		65	76.2	160	124	70	15	150	25	M16	25.4	65.1	SUC213	SPA213	5.36
SUCPA213-40	2-1/2	70											SUC213-40		
SUCPA213-41	2-9/16	75											SUC213-41		

# 不锈钢带座外球面轴承

## STAINLESS STEEL BEARING UNITS

### SUCPW200

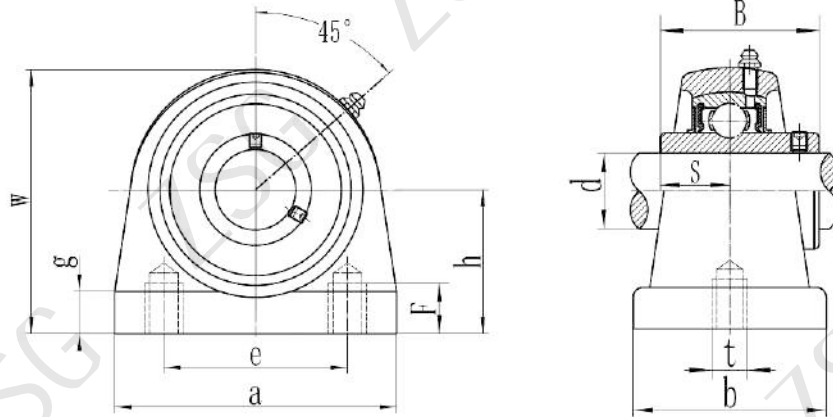


带座轴承型号 Bearing Unit No.	轴径 Bore Dia		外形尺寸 (毫米) Dimensions (mm)									轴承 Bearing No.	轴承座 Housing No.	重量 Weight (kg)	
	d		h	a	e	b	g	W	F	t	S				B
	in	mm													
SUCPW201 SUCPW201-8 SUCPW202 SUCPW202-10 SUCPW203 SUCPW203-11	1/2 5/8 11/16	12 15 17	33.3	65	50.8	32	11	64	13	M8	12.7	31	SUC201 SUC201-8 SUC202 SUC202-10 SUC203 SUC203-11	SPW203	0.70
SUCPW204 SUCPW204-12	3/4	20	33.3	65	50.8	32	11	64	13	M8	12.7	31	SUC204 SUC204-12	SPW204	0.66
SUCPW205 SUCPW205-14 SUCPW205-15 SUCPW205-16	7/8 15/16 1	25	36.5	70	50.8	36	12	70	13	M10	14.3	34.1	SUC205 SUC205-14 SUC205-15 SUC205-16	SPW205	0.84
SUCPW206 SUCPW206-17 SUCPW206-18 SUCPW206-19 SUCPW206-20	1-1/16 1-1/8 1-3/16 1-1/4	30	42.9	98	76.2	38	12	82	16	M10	15.9	38.1	SUC206 SUC206-17 SUC206-18 SUC206-19 SUC206-20	SPW206	1.48
SUCPW207 SUCPW207-20 SUCPW207-21 SUCPW207-22 SUCPW207-23	1-1/4 1-5/16 1-3/8 1-7/16	35	47.6	103	82.6	45	17	93	19	M10	17.5	42.9	SUC207 SUC207-20 SUC207-21 SUC207-22 SUC207-23	SPW207	1.94
SUCPW208 SUCPW208-24 SUCPW208-25	1-1/2 1-9/16	40	49.2	116	88.9	47	12	99	19	M12	19.0	49.2	SUC208 SUC208-24 SUC208-25	SPW208	2.40
SUCPW209 SUCPW209-26 SUCPW209-27 SUCPW209-28	1-5/8 1-11/16 1-3/4	45	53.9	120	95.3	48	12	107	19	M12	19.0	49.2	SUC209 SUC209-26 SUC209-27 SUC209-28	SPW209	2.70
SUCPW210 SUCPW210-29 SUCPW210-30 SUCPW210-31 SUCPW210-32	1-13/16 1-7/8 1-15/16 2	50	57.2	135	101.6	54	14	115	22	M16	19.0	51.6	SUC210 SUC210-29 SUC210-30 SUC210-31 SUC210-32	SPW210	3.22

# 不锈钢带座外球面轴承

## STAINLESS STEEL BEARING UNITS

### SUCTB200

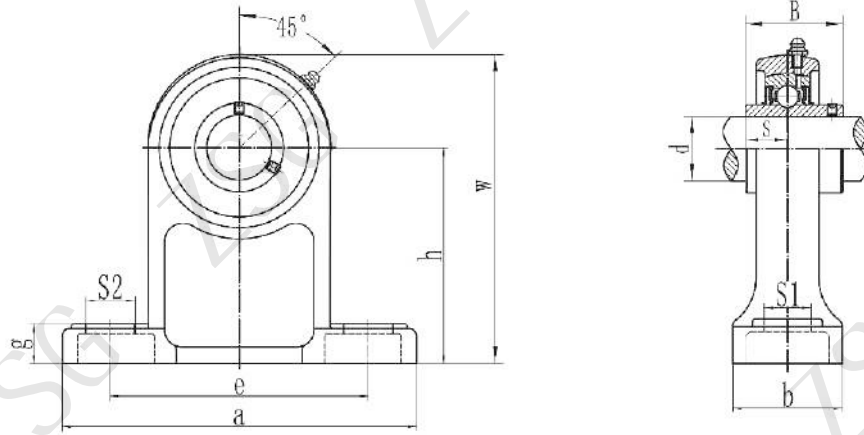


带座轴承型号 Bearing Unit No.	轴径 Bore Dia		外形尺寸 (毫米) Dimensions (mm)									轴承 Bearing No.	轴承座 Housing No.	重量 Weight (kg)	
	d		h	a	e	b	g	W	F	t	S				B
	in	mm													
SUCTB201 SUCTB201-8 SUCTB202 SUCTB202-10 SUCTB203 SUCTB203-11	1/2 5/8 11/16	12 15 17	33.3	73	50.8	38	11	65	12.7	3/8-16	12.7	31	SUC201 SUC201-8 SUC202 SUC202-10 SUC203 SUC203-11	STB203	0.70
SUCTB204 SUCTB204-12	3/4	20	33.3	73	50.8	38	11	65	12.7	3/8-16	12.7	31	SUC204 SUC204-12	STB204	0.72
SUCTB205 SUCTB205-14 SUCTB205-15 SUCTB205-16	7/8 15/16 1	25	36.5	76	50.8	38	12	71	12.7	3/8-16	14.3	34.1	SUC205 SUC205-14 SUC205-15 SUC205-16	STB205	0.93
SUCTB206 SUCTB206-17 SUCTB206-18 SUCTB206-19 SUCTB206-20	1-1/16 1-1/8 1-3/16 1-1/4	30	42.9	102	76.2	38	12	87	16	7/16-14	15.9	38.1	SUC206 SUC206-17 SUC206-18 SUC206-19 SUC206-20	STB206	1.41
SUCTB207 SUCTB207-20 SUCTB207-21 SUCTB207-22 SUCTB207-23	1-1/4 1-5/16 1-3/8 1-7/16	35	47.6	108	82.6	48	12	95	19	1/2-13	17.5	42.9	SUC207 SUC207-20 SUC207-21 SUC207-22 SUC207-23	STB207	1.86
SUCTB208 SUCTB208-24 SUCTB208-25	1-1/2 1-9/16	40	49.2	117	88.9	48	12	100	19	1/2-13	19.0	49.2	SUC208 SUC208-24 SUC208-25	STB208	2.33
SUCTB209 SUCTB209-26 SUCTB209-27 SUCTB209-28	1-5/8 1-11/16 1-3/4	45	54.0	127	95.3	51	12	108	19	1/2-13	19.0	49.2	SUC209 SUC209-26 SUC209-27 SUC209-28	STB209	2.79
SUCTB210 SUCTB210-29 SUCTB210-30 SUCTB210-31 SUCTB210-32	1-13/16 1-7/8 1-15/16 2	50	57.2	140	101.6	51	14	117.5	22	5/8-11	19.0	51.6	SUC210 SUC210-29 SUC210-30 SUC210-31 SUC210-32	STB210	3.18

# 不锈钢带座外球面轴承

## STAINLESS STEEL BEARING UNITS

### SUCPH200

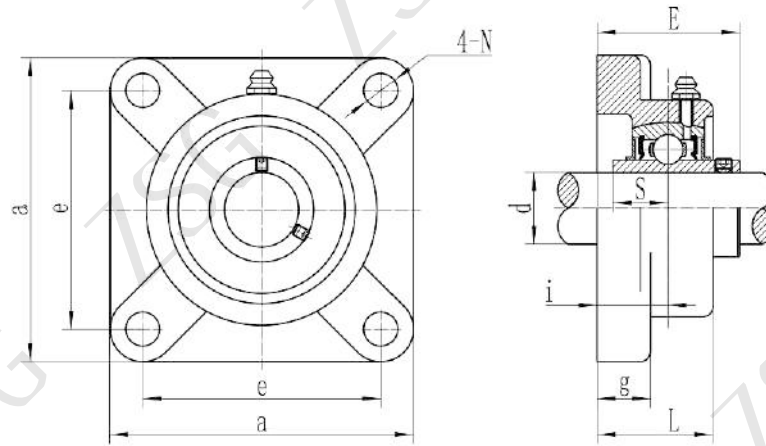


带座轴承型号 Bearing Unit No.	轴径 Bore Dia		外形尺寸 (毫米) Dimensions (mm)										轴承 Bearing No.	轴承座 Housing No.	重量 Weight (kg)
	d		h	a	e	b	S <sub>1</sub>	S <sub>2</sub>	g	W	S	B			
	in	mm													
SUCPH201 SUCPH201-8 SUCPH202 SUCPH202-10 SUCPH203 SUCPH203-11	1/2 5/8 11/16	12 15 17	70	125	95	40	13	19	15	101	12.7	31	SUC201 SUC201-8 SUC202 SUC202-10 SUC203 SUC203-11	SPH203	1.00
SUCPH204 SUCPH204-12	3/4	20	70	127	95	40	13	19	15	101	12.7	31	SUC204 SUC204-12	SPH204	0.95
SUCPH205 SUCPH205-14 SUCPH205-15 SUCPH205-16	7/8 15/16 1	25	80	140	105	50	13	19	16	114	14.3	34.1	SUC205 SUC205-14 SUC205-15 SUC205-16	SPH205	1.20
SUCPH206 SUCPH206-17 SUCPH206-18 SUCPH206-19 SUCPH206-20	1-1/16 1-1/8 1-3/16 1-1/4	30	90	160	121	50	17	21	18	130	15.9	38.1	SUC206 SUC206-17 SUC206-18 SUC206-19 SUC206-20	SPH206	1.89
SUCPH207 SUCPH207-20 SUCPH207-21 SUCPH207-22 SUCPH207-23	1-1/4 1-5/16 1-3/8 1-7/16	35	95	167	127	60	17	21	19	140	17.5	42.9	SUC207 SUC207-20 SUC207-21 SUC207-22 SUC207-23	SPH207	2.39
SUCPH208 SUCPH208-24 SUCPH208-25	1-1/2 1-9/16	40	100	181	137	68	17	25	19	150	19.0	49.2	SUC208 SUC208-24 SUC208-25	SPH208	2.79
SUCPH209 SUCPH209-26 SUCPH209-27 SUCPH209-28	1-5/8 1-11/16 1-3/4	45	105	190	146	70	17	25	20	158	19.0	49.2	SUC209 SUC209-26 SUC209-27 SUC209-28	SPH209	3.18
SUCPH210 SUCPH210-29 SUCPH210-30 SUCPH210-31 SUCPH210-32	1-13/16 1-7/8 1-15/16 2	50	110	206	159	70	20	25	22	165	19.0	51.6	SUC210 SUC210-29 SUC210-30 SUC210-31 SUC210-32	SPH210	3.68
SUCPH211 SUCPH211-32 SUCPH211-33 SUCPH211-34 SUCPH211-35	2 2-1/16 2-1/8 2-3/16	55	120	220	171	75	20	25	22	181	22.2	55.6	SUC211 SUC211-32 SUC211-33 SUC211-34 SUC211-35	SPH211	4.94
SUCPH212 SUCPH212-36 SUCPH212-37 SUCPH212-38 SUCPH212-39	2-1/4 2-5/16 2-3/8 2-7/16	60	130	235	184	85	20	25	25	197	25.4	65.1	SUC212 SUC212-36 SUC212-37 SUC212-38 SUC212-39	SPH212	6.38
SUCPH213 SUCPH213-40 SUCPH213-41	2-1/2 2-9/16	65	140	262	203	95	23	28	27	212	25.4	65.1	SUC213 SUC213-40 SUC213-41	SPH213	7.42
SUCPH214 SUCPH214-42 SUCPH214-43 SUCPH214-44	2-5/8 2-11/16 2-3/4	70	150	268	210	105	23	28	28	225	30.2	74.6	SUC214 SUC214-42 SUC214-43 SUC214-44	SPH214	8.22
SUCPH215 SUCPH215-45 SUCPH215-46 SUCPH215-47 SUCPH215-48	2-13/16 2-7/8 2-15/16 3	75	160	275	217	115	23	28	29	238	33.3	77.8	SUC215 SUC215-45 SUC215-46 SUC215-47 SUC215-48	SPH215	9.63
SUCPH216 SUCPH216-50	3-1/8	80	170	290	232	125	23	28	30	253	33.3	82.6	SUC216 SUC216-50	SPH216	11.02

# 不锈钢带座外球面轴承

## STAINLESS STEEL BEARING UNITS

SUCF200

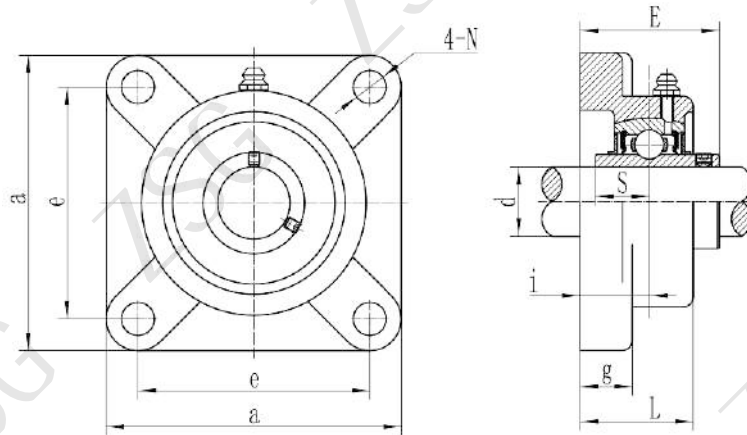


带座轴承型号 Bearing Unit No.	轴径 Bore Dia		外形尺寸 (毫米) Dimensions (mm)								轴承 Bearing No.	轴承座 Housing No.	重量 Weight (kg)
	d		a	e	i	g	L	N	E	S			
	in	mm											
SUCF201 SUCF201-8 SUCF202 SUCF202-10 SUCF203 SUCF203-11	1/2 5/8 11/16	12 15 17	86	64	15	11	25.5	12	33.3	12.7	SUC201 SUC201-8 SUC202 SUC202-10 SUC203 SUC203-11	SF203	1.00
SUCF204 SUCF204-12	3/4	20	86	64	15	12	25.5	12	33.3	12.7	SUC204 SUC204-12	SF204	0.95
SUCF205 SUCF205-14 SUCF205-15 SUCF205-16	7/8 15/16 1	25	95	70	16	14	27	12	35.8	14.3	SUC205 SUC205-14 SUC205-15 SUC205-16	SF205	1.20
SUCF206 SUCF206-17 SUCF206-18 SUCF206-19 SUCF206-20	1-1/16 1-1/8 1-3/16 1-1/4	30	108	83	18	14.3	31	12	40.2	15.9	SUC206 SUC206-17 SUC206-18 SUC206-19 SUC206-20	SF206	1.89
SUCF207 SUCF207-20 SUCF207-21 SUCF207-22 SUCF207-23	1-1/4 1-5/16 1-3/8 1-7/16	35	117	92	19	15.5	34	14	44.4	17.5	SUC207 SUC207-20 SUC207-21 SUC207-22 SUC207-23	SF207	2.39
SUCF208 SUCF208-24 SUCF208-25	1-1/2 1-9/16	40	130	102	21	15.5	36	16	51.2	19.0	SUC208 SUC208-24 SUC208-25	SF208	2.79
SUCF209 SUCF209-26 SUCF209-27 SUCF209-28	1-5/8 1-11/16 1-3/4	45	137	105	22	17.5	38	16	52.2	19.0	SUC209 SUC209-26 SUC209-27 SUC209-28	SF209	3.18
SUCF210 SUCF210-29 SUCF210-30 SUCF210-31 SUCF210-32	1-13/16 1-7/8 1-15/16 2	50	143	111	22	17.5	40	16	54.6	19.0	SUC210 SUC210-29 SUC210-30 SUC210-31 SUC210-32	SF210	3.68
SUCF211 SUCF211-32 SUCF211-33 SUCF211-34 SUCF211-35	2 2-1/16 2-1/8 2-3/16	55	162	130	25	19.5	43	19	58.4	22.2	SUC211 SUC211-32 SUC211-33 SUC211-34 SUC211-35	SF211	3.40
SUCF212 SUCF212-36 SUCF212-37 SUCF212-38 SUCF212-39	2-1/4 2-5/16 2-3/8 2-7/16	60	175	143	29	19.5	48	19	68.7	25.4	SUC212 SUC212-36 SUC212-37 SUC212-38 SUC212-39	SF212	4.17
SUCF213 SUCF213-40 SUCF213-41	2-1/2 2-9/16	65	187	149	30	22	50	19	69.7	25.4	SUC213 SUC213-40 SUC213-41	SF213	5.32
SUCF214 SUCF214-42 SUCF214-43 SUCF214-44	2-5/8 2-11/16 2-3/4	70	193	152	31	23	54	19	75.4	30.2	SUC214 SUC214-42 SUC214-43 SUC214-44	SF214	5.92
SUCF215 SUCF215-45 SUCF215-46 SUCF215-47 SUCF215-48	2-13/16 2-7/8 2-15/16 3	75	200	159	34	23	56	19	78.5	33.3	SUC215 SUC215-45 SUC215-46 SUC215-47 SUC215-48	SF215	6.65
SUCF216 SUCF216-50	3-1/8	80	208	165	34	24	58	23	83.3	33.3	SUC216 SUC216-50	SF216	7.89
SUCF217 SUCF217-52	3-1/4	85	220	175	36	25	63	23	87.6	34.1	SUC217 SUC217-52	SF217	9.18
SUCF218 SUCF218-56	3-1/2	90	235	187	40	25	68	23	96.3	39.7	SUC218 SUC218-56	SF218	11.20

# 不锈钢带座外球面轴承

## STAINLESS STEEL BEARING UNITS

SUCF300

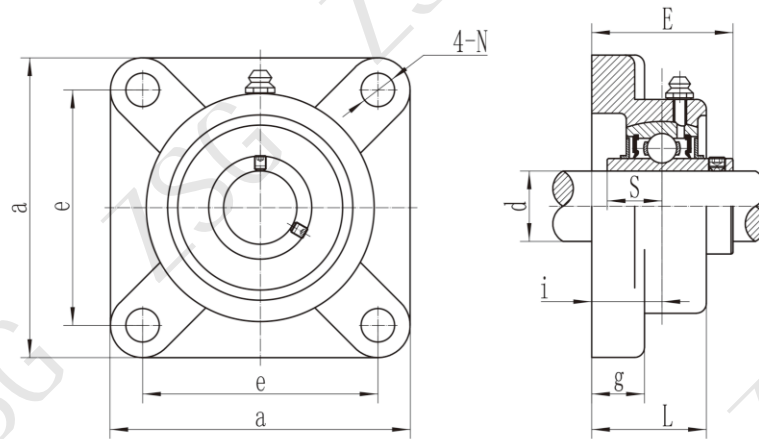


带座轴承型号 Bearing Unit No.	轴径 Bore Dia		外形尺寸 (毫米) Dimensions (mm)								轴承 Bearing No.	轴承座 Housing No.	重量 Weight (kg)
	d		a	e	i	g	L	N	E	S			
	in	mm											
SUCF305 SUCF305-14 SUCF305-15 SUCF305-16	7/8 15/16 1	25	110	80	16	13	29	16	39	15	SUC305 SUC305-14 SUC305-15 SUC305-16	SF305	1.52
SUCF306 SUCF306-18 SUCF306-19	1-1/8 1-3/16	30	125	95	18	15	32	16	44	17	SUC306 SUC306-18 SUC306-19	SF306	1.92
SUCF307 SUCF307-20 SUCF307-21 SUCF307-22	1-1/4 1-5/16 1-3/8	35	135	100	20	16	36	19	49	19.0	SUC307 SUC307-20 SUC307-21 SUC307-22	SF307	2.66
SUCF308 SUCF308-24 SUCF308-25	1-1/2 1-9/16	40	150	112	23	17	40	19	56	19.0	SUC308 SUC308-24 SUC308-25	SF308	3.50
SUCF309 SUCF309-26 SUCF309-27 SUCF309-28	1-5/8 1-11/16 1-3/4	45	160	125	25	18	44	19	60	22	SUC309 SUC309-26 SUC309-27 SUC309-28	SF309	4.68
SUCF310 SUCF310-30 SUCF310-31	1-7/8 1-15/16	50	175	132	28	19	48	23	67	22	SUC310 SUC310-30 SUC310-31	SF310	6.44
SUCF311 SUCF311-32 SUCF311-34 SUCF311-35	2 2-1/8 2-3/16	55	185	140	30	20	52	23	71	25	SUC311 SUC311-32 SUC311-34 SUC311-35	SF311	7.69
SUCF312 SUCF312-36 SUCF312-38 SUCF312-39	2-1/4 2-3/8 2-7/16	60	195	150	33	22	56	23	78	26	SUC312 SUC312-36 SUC312-38 SUC312-39	SF312	9.40
SUCF313 SUCF313-40	2-1/2	65	208	166	33	22	58	23	78	30	SUC313 SUC313-40	SF313	11.70
SUCF314 SUCF314-44	2-3/4	70	226	178	36	25	61	25	81	33	SUC314 SUC314-44	SF314	13.40
SUCF315 SUCF315-48	3	75	236	184	39	25	66	25	89	32	SUC315 SUC315-48	SF315	15.40
SUCF316 SUCF316-50	3-1/8	80	250	196	38	27	68	31	90	34	SUC316 SUC316-50	SF316	14.75
SUCF317 SUCF317-52	3-1/4	85	260	204	44	27	74	31	100	40	SUC317 SUC317-52	SF317	17.70
SUCF318 SUCF318-56	3-1/2	90	280	216	44	30	76	35	100	40	SUC318 SUC318-56	SF318	21.10
SUCF319 SUCF319-60	3-3/4	95	290	228	59	30	94	35	121	41	SUC319 SUC319-60	SF319	23.25
SUCF320 SUCF320-64	4	100	310	242	59	32	94	38	125	42	SUC320 SUC320-64	SF320	26.28
SUCF321	/	105	310	242	59	32	94	38	127	44	SUC321	SF321	27.3
SUCF322	/	110	340	266	60	35	96	41	131	46	SUC322	SF322	37.5
SUCF324	/	120	370	290	65	40	110	41	140	51	SUC324	SF324	48.7
SUCF326	/	130	410	320	65	45	115	41	146	54	SUC326	SF326	62.3
SUCF328	/	140	450	350	75	55	125	41	161	59	SUC328	SF328	89.7

# 不锈钢带座外球面轴承

## STAINLESS STEEL BEARING UNITS

SUCFX00

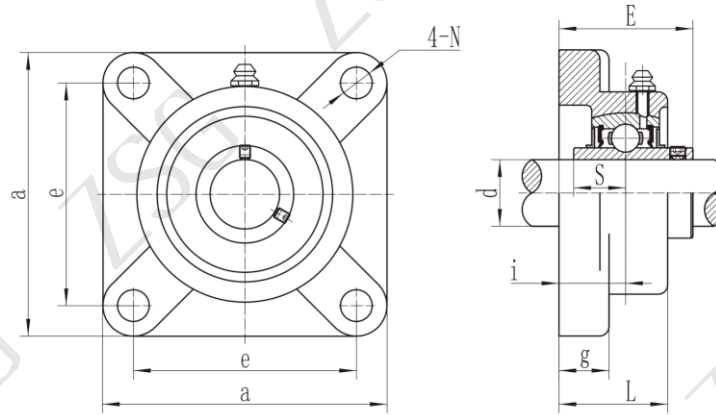


带座轴承型号 Bearing Unit No.	轴径 Bore Dia		外形尺寸 (毫米) Dimensions (mm)								轴承 Bearing No.	轴承座 Housing No.	重量 Weight (kg)
	d		a	e	i	g	L	N	E	S			
	in	mm											
SUCFX05 SUCFX05-14 SUCFX05-15 SUCFX05-16	7/8 15/16 1	25	108	83	18	12.7	30	12	40.2	15.9	SUCX05 SUCX05-14 SUCX05-15 SUCX05-16	SFX05	1.08
SUCFX06 SUCFX06-18 SUCFX06-19	1-1/8 1-3/16	30	117	92	19	14.3	34	16	44.4	17.5	SUCX06 SUCX06-18 SUCX06-19	SFX06	1.38
SUCFX07 SUCFX07-20 SUCFX07-21 SUCFX07-22	1-1/4 1-5/16 1-3/8	35	130	102	21	14.3	38	16	51.2	19.0	SUCX07 SUCX07-20 SUCX07-21 SUCX07-22	SFX07	1.76
SUCFX08 SUCFX08-24 SUCFX08-25	1-1/2 1-9/16	40	137	105	22	14.3	40	19	52.2	19.0	SUCX08 SUCX08-24 SUCX08-25	SFX08	1.88
SUCFX09 SUCFX09-26 SUCFX09-27 SUCFX09-28	1-5/8 1-11/16 1-3/4	45	143	111	23	14.3	40	19	55.6	19.0	SUCX09 SUCX09-26 SUCX09-27 SUCX09-28	SFX09	2.51
SUCFX10 SUCFX10-30 SUCFX10-31	1-7/8 1-15/16	50	162	130	26	19.8	44	19	59.4	22.2	SUCX10 SUCX10-30 SUCX10-31	SFX10	3.69
SUCFX11 SUCFX11-32 SUCFX11-34 SUCFX11-35	2 2-1/8 2-3/16	55	175	143	29	19.8	49	19	68.7	25.4	SUCX11 SUCX11-32 SUCX11-34 SUCX11-35	SFX11	4.51
SUCFX12 SUCFX12-36 SUCFX12-38 SUCFX12-39	2-1/4 2-3/8 2-7/16	60	187	149	34	20.6	59	19	73.7	25.4	SUCX12 SUCX12-36 SUCX12-38 SUCX12-39	SFX12	5.20
SUCFX13 SUCFX13-40 SUCFX13-41	2-1/2 2-9/16	65	187	149	34	20.6	59	19	78.4	30.2	SUCX13 SUCX13-40 SUCX13-41	SSFX13	5.40
SUCFX14 SUCFX14-42 SUCFX14-43 SUCFX14-44	2-5/8 2-11/16 2-3/4	70	197	152	37	23.8	60	23	81.5	33.3	SUCX14 SUCX14-42 SUCX14-43 SUCX14-44	SFX14	7.52
SUCFX15 SUCFX15-45 SUCFX15-46 SUCFX15-47 SUCFX15-48	2-13/16 2-7/8 2-15/16 3	75	197	152	40	23.8	68	23	89.3	33.3	SUCX15 SUCX15-45 SUCX15-46 SUCX15-47 SUCX15-48	SFX15	7.81
SUCFX16 SUCFX16-50	3-1/8	80	214	171	40	23.8	70	23	91.6	34.1	SUCX16 SUCX16-50	SFX16	10.50
SUCFX17 SUCFX17-52	3-1/4	85	214	171	40	23.8	70	23	96.3	39.7	SUCX17 SUCX17-52	SFX17	10.14
SUCFX18 SUCFX18-56	3-1/2	90	214	171	45	23.8	76	23	106.1	42.9	SUCX18 SUCX18-56	SFX18	10.80
SUCFX20 SUCFX20-64	4	100	268	211	59	31	97	31	127.3	49.2	SUCX20 SUCX20-64	SFX20	16.97

# 不锈钢带座外球面轴承

## STAINLESS STEEL BEARING UNITS

### SUCFS200

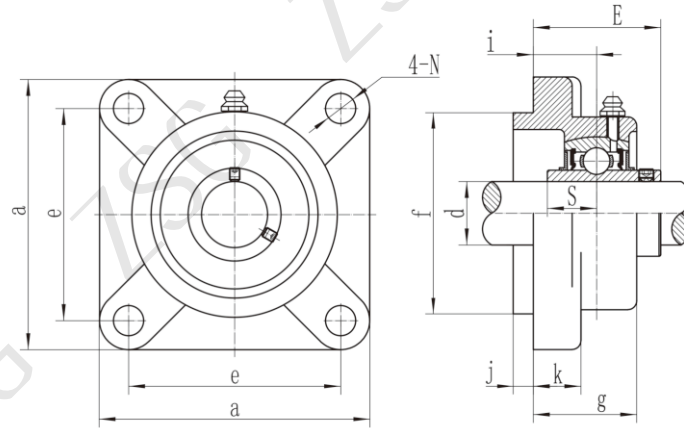


带座轴承型号 Bearing Unit No.	轴径 Bore Dia		外形尺寸 (毫米) Dimensions (mm)								轴承 Bearing No.	轴承座 Housing No.	重量 Weight (kg)
	d		a	e	i	g	L	N	E	S			
	in	mm											
SUCFS201S SUCFS201-8S SUCFS202S SUCFS202-10S SUCFS203S SUCFS203-11S	1/2 5/8 11/16	12 15 17	76	54	17	13	28	10.3	33	10	SUC201S SUC201-8S SUC202S SUC202-10S SUC203S SUC203-11S	SFS203	0.49
SUCFS201 SUCFS201-8 SUCFS202 SUCFS202-10 SUCFS203 SUCFS203-11	1/2 5/8 11/16	12 15 17	86	63.5	19	15	29.5	11.5	37.3	12.7	SUC201 SUC201-8 SUC202 SUC202-10 SUC203 SUC203-11	SFS204	0.83
SUCFS204 SUCFS204-12	3/4	20	86	63.5	19	15	29.5	11.5	37.3	12.7	SUC204 SUC204-12	SFS204	0.81
SUCFS205 SUCFS205-14 SUCFS205-15 SUCFS205-16	7/8 15/16 1	25	93	70	19	15	30	11.5	38.8	14.3	SUC205 SUC205-14 SUC205-15 SUC205-16	SFS205	0.97
SUCFS206 SUCFS206-17 SUCFS206-18 SUCFS206-19 SUCFS206-20	1-1/16 1-1/8 1-3/16 1-1/4	30	106	82.5	20	16	32.5	13	42.2	15.9	SUC206 SUC206-17 SUC206-18 SUC206-19 SUC206-20	SFS206	1.35
SUCFS207 SUCFS207-20 SUCFS207-21 SUCFS207-22 SUCFS207-23	1-1/4 1-5/16 1-3/8 1-7/16	35	116	92	21	17	35	13	46.4	17.5	SUC207 SUC207-20 SUC207-21 SUC207-22 SUC207-23	SFS207	1.76
SUCFS208 SUCFS208-24 SUCFS208-25	1-1/2 1-9/16	40	129	101.5	24	17	39	14	54.2	19.0	SUC208 SUC208-24 SUC208-25	SFS208	2.28
SUCFS209 SUCFS209-26 SUCFS209-27 SUCFS209-28	1-5/8 1-11/16 1-3/4	45	135	105	24	18	40	16	54.2	19.0	SUC209 SUC209-26 SUC209-27 SUC209-28	SFS209	2.50
SUCFS210 SUCFS210-29 SUCFS210-30 SUCFS210-31 SUCFS210-32	1-13/16 1-7/8 1-15/16 2	50	143	111	28	20	45	16	60.6	19.0	SUC210 SUC210-29 SUC210-30 SUC210-31 SUC210-32	SFS210	2.93
SUCFS211 SUCFS211-32 SUCFS211-33 SUCFS211-34 SUCFS211-35	2 2-1/16 2-1/8 2-3/16	55	162	130	32	21	49	17	65.4	22.2	SUC211 SUC211-32 SUC211-33 SUC211-34 SUC211-35	SFS211	3.80
SUCFS212 SUCFS212-36 SUCFS212-37 SUCFS212-38 SUCFS212-39	2-1/4 2-5/16 2-3/8 2-7/16	60	175	143	34	22	53.5	17	73.7	25.4	SUC212 SUC212-36 SUC212-37 SUC212-38 SUC212-39	SFS212	4.87
SUCFS213 SUCFS213-40 SUCFS213-41	2-1/2 2-9/16	65	184	149	38	22	58	18	77.7	25.4	SUC213 SUC213-40 SUC213-41	SFS213	5.38
SUCFS214 SUCFS214-42 SUCFS214-43 SUCFS214-44	2-5/8 2-11/16 2-3/4	70	188	152	38	23	60	18	82.4	30.2	SUC214 SUC214-42 SUC214-43 SUC214-44	SFS214	6.15
SUCFS215 SUCFS215-45 SUCFS215-46 SUCFS215-47 SUCFS215-48	2-13/16 2-7/8 2-15/16 3	75	200	152.4	41	24	62	20	85.5	33.3	SUC215 SUC215-45 SUC215-46 SUC215-47 SUC215-48	SFS215	7.00
SUCFS216 SUCFS216-50	3-1/8	80	207	165	42	25	63	22	91.3	33.3	SUC216 SUC216-50	SFS216	8.22

# 不锈钢带座外球面轴承

## STAINLESS STEEL BEARING UNITS

### SUCFS300

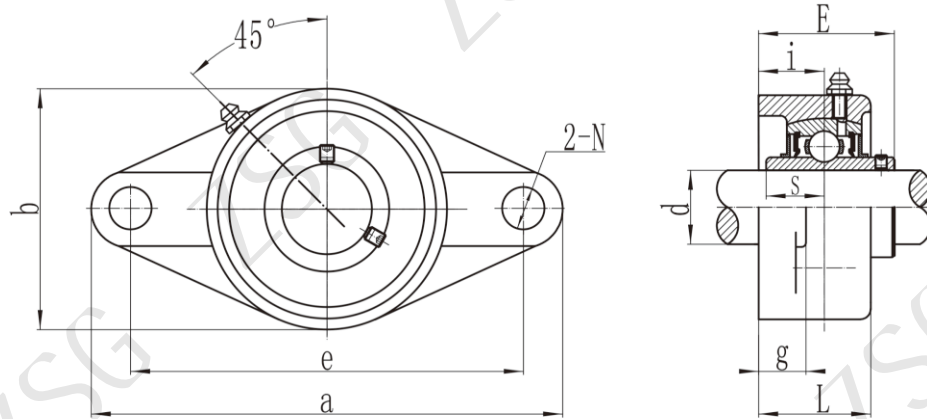


带座轴承型号 Bearing Unit No.	轴径 Bore Dia		外形尺寸 (毫米) Dimensions (mm)										轴承 Bearing No.	轴承座 Housing No.	重量 Weight (kg)
	d		a	e	i	g	f	j	k	N	E	S			
	in	mm													
SUCFS305 SUCFS305-14 SUCFS305-15 SUCFS305-16	7/8 15/16 1	25	110	80	9	22	80	7	13	16	39	15	SUC305 SUC305-14 SUC305-15 SUC305-16	SFS305	1.17
SUCFS306 SUCFS306-18 SUCFS306-19	1-1/8 1-3/16	30	125	95	10	24	90	8	15	16	44	17	SUC306 SUC306-18 SUC306-19	SFS306	1.71
SUCFS307 SUCFS307-20 SUCFS307-21 SUCFS307-22	1-1/4 1-5/16 1-3/8	35	135	100	11	27	100	9	16	19	49	19.0	SUC307 SUC307-20 SUC307-21 SUC307-22	SFS307	2.20
SUCFS308 SUCFS308-24 SUCFS308-25	1-1/2 1-9/16	40	150	112	13	30	115	10	17	19	56	19.0	SUC308 SUC308-24 SUC308-25	SFS308	3.00
SUCFS309 SUCFS309-26 SUCFS309-27 SUCFS309-28	1-5/8 1-11/16 1-3/4	45	160	125	14	33	125	11	18	19	60	22	SUC309 SUC309-26 SUC309-27 SUC309-28	SFS309	3.61
SUCFS310 SUCFS310-30 SUCFS310-31	1-7/8 1-15/16	50	175	132	16	36	140	12	19	23	67	22	SUC310 SUC310-30 SUC310-31	SFS310	4.80
SUCFS311 SUCFS311-32 SUCFS311-34 SUCFS311-35	2 2-1/8 2-3/16	55	185	140	17	39	150	13	20	23	71	25	SUC311 SUC311-32 SUC311-34 SUC311-35	SFS311	5.70
SUCFS312 SUCFS312-36 SUCFS312-38 SUCFS312-39	2-1/4 2-3/8 2-7/16	60	195	150	19	42	160	14	22	23	78	26	SUC312 SUC312-36 SUC312-38 SUC312-39	SFS312	6.70
SUCFS313 SUCFS313-40	2-1/2	65	208	166	15	40	175	18	22	23	78	30	SUC313 SUC313-40	SFS313	8.32
SUCFS314 SUCFS314-44	2-3/4	70	226	178	18	43	185	18	25	25	81	33	SUC314 SUC314-44	SFS314	10.20
SUCFS315 SUCFS315-48	3	75	236	184	21	48	200	18	25	25	89	32	SUC315 SUC315-48	SFS315	11.58
SUCFS316 SUCFS316-50	3-1/8	80	250	196	18	48	210	20	27	31	90	34	SUC316 SUC316-50	SFS316	13.75
SUCFS317 SUCFS317-52	3-1/4	85	260	204	24	54	220	20	27	31	100	40	SUC317 SUC317-52	SFS317	15.90
SUCFS318 SUCFS318-56	3-1/2	90	280	216	24	56	240	20	30	35	100	40	SUC318 SUC318-56	SFS318	20.10
SUCFS319 SUCFS319-60	3-3/4	95	290	228	39	74	250	20	30	35	121	41	SUC319 SUC319-60	SFS319	23.25
SUCFS320 SUCFS320-64	4	100	310	242	39	74	260	20	32	38	125	42	SUC320 SUC320-64	SFS320	25.78
SUCFS321	/	105	310	242	39	74	260	20	32	38	127	44	SUC321	SFS321	26.30
SUCFS322	/	110	340	266	35	71	300	25	35	41	131	46	SUC322	SFS322	36.00
SUCFS324	/	120	370	290	35	80	330	30	40	41	140	51	SUC324	SFS324	48.70
SUCFS326	/	130	410	320	35	85	360	30	45	41	146	54	SUC326	SFS326	64.8
SUCFS328	/	140	450	350	45	95	400	30	55	41	161	59	SUC328	SFS328	90.4

# 不锈钢带座外球面轴承

## STAINLESS STEEL BEARING UNITS

SUCFL200

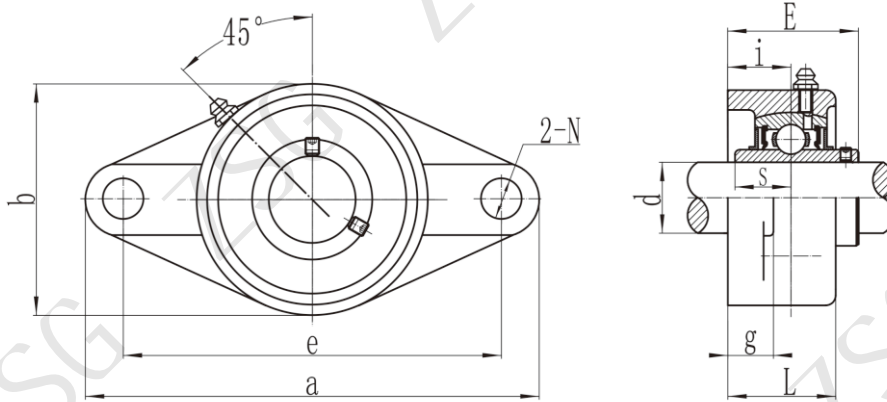


带座轴承型号 Bearing Unit No.	轴径 Bore Dia		外形尺寸 (毫米) Dimensions (mm)								轴承 Bearing No.	轴承座 Housing No.	重量 Weight (kg)	
	d		a	e	i	b	g	L	N	E				S
	in	mm												
SUCFL201 SUCFL201-8 SUCFL202 SUCFL202-10 SUCFL203 SUCFL203-11	1/2 5/8 11/16	12 15 17	99	76.2	15	55	11	25.5	12	31	10	SUC201 SUC201-8 SUC202 SUC202-10 SUC203 SUC203-11	SFL203	0.56
SUCFL204 SUCFL204-12	3/4	20	113	90	15	60	11	25.5	12	33.3	12.7	SUC204 SUC204-12	SFL204	0.52
SUCFL205 SUCFL205-14 SUCFL205-15 SUCFL205-16	7/8 15/16 1	25	130	99	16	68	13	27	16	35.8	14.3	SUC205 SUC205-14 SUC205-15 SUC205-16	SFL205	0.64
SUCFL206 SUCFL206-17 SUCFL206-18 SUCFL206-19 SUCFL206-20	1-1/16 1-1/8 1-3/16 1-1/4	30	148	117	18	80	13	31	16	40.2	15.9	SUC206 SUC206-17 SUC206-18 SUC206-19 SUC206-20	SFL206	0.93
SUCFL207 SUCFL207-20 SUCFL207-21 SUCFL207-22 SUCFL207-23	1-1/4 1-5/16 1-3/8 1-7/16	35	161	130	19	90	15	34	16	44.4	17.5	SUC207 SUC207-20 SUC207-21 SUC207-22 SUC207-23	SFL207	1.20
SUCFL208 SUCFL208-24 SUCFL208-25	1-1/2 1-9/16	40	175	144	21	100	15	36	16	51.2	19.0	SUC208 SUC208-24 SUC208-25	SFL208	1.59
SUCFL209 SUCFL209-26 SUCFL209-27 SUCFL209-28	1-5/8 1-11/16 1-3/4	45	188	148	22	108	16	38	19	52.2	19.0	SUC209 SUC209-26 SUC209-27 SUC209-28	SFL209	1.84
SUCFL210 SUCFL210-29 SUCFL210-30 SUCFL210-31 SUCFL210-32	1-13/16 1-7/8 1-15/16 2	50	197	157	22	115	16	40	19	54.6	19.0	SUC210 SUC210-29 SUC210-30 SUC210-31 SUC210-32	SFL210	2.15
SUCFL211 SUCFL211-32 SUCFL211-33 SUCFL211-34 SUCFL211-35	2 2-1/16 2-1/8 2-3/16	55	224	184	25	130	19	43	19	58.4	22.2	SUC211 SUC211-32 SUC211-33 SUC211-34 SUC211-35	SFL211	3.10
SUCFL212 SUCFL212-36 SUCFL212-37 SUCFL212-38 SUCFL212-39	2-1/4 2-5/16 2-3/8 2-7/16	60	250	202	29	140	20	48	23	68.7	25.4	SUC212 SUC212-36 SUC212-37 SUC212-38 SUC212-39	SFL212	3.99
SUCFL213 SUCFL213-40 SUCFL213-41	2-1/2 2-9/16	65	258	210	30	155	22	50	23	69.7	25.4	SUC213 SUC213-40 SUC213-41	SFL213	4.96
SUCFL214 SUCFL214-42 SUCFL214-43 SUCFL214-44	2-5/8 2-11/16 2-3/4	70	265	216	31	160	22	54	23	75.4	30.2	SUC214 SUC214-42 SUC214-43 SUC214-44	SFL214	5.60
SUCFL215 SUCFL215-45 SUCFL215-46 SUCFL215-47 SUCFL215-48	2-13/16 2-7/8 2-15/16 3	75	275	225	34	165	22	56	23	78.5	33.3	SUC215 SUC215-45 SUC215-46 SUC215-47 SUC215-48	SFL215	6.21
SUCFL216 SUCFL216-50	3-1/8	80	290	233	34	180	22	58	25	83.3	33.3	SUC216 SUC216-50	SFL216	7.69
SUCFL217 SUCFL217-52	3-1/4	85	305	248	36	190	24	63	25	87.6	34.1	SUC217 SUC217-52	SFL217	9.15
SUCFL218 SUCFL218-56	3-1/2	90	320	265	40	205	24	68	25	96.3	39.7	SUC218 SUC218-56	SFL218	10.95

# 不锈钢带座外球面轴承

## STAINLESS STEEL BEARING UNITS

### SUCFL300

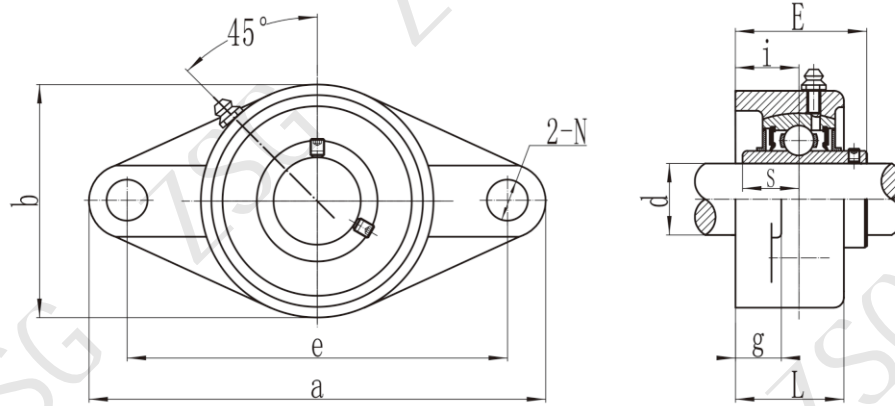


带座轴承型号 Bearing Unit No.	轴径 Bore Dia		外形尺寸 (毫米) Dimensions (mm)								轴承 Bearing No.	轴承座 Housing No.	重量 Weight (kg)	
	d		a	e	i	b	g	L	N	E				S
	in	mm												
SUCFL305 SUCFL305-14 SUCFL305-15 SUCFL305-16	7/8 15/16 1	25	150	113	16	80	13	29	19	39	15	SUC305 SUC305-14 SUC305-15 SUC305-16	SFL305	1.52
SUCFL306 SUCFL306-18 SUCFL306-19	1-1/8 1-3/16	30	180	134	18	90	15	32	23	44	17	SUC306 SUC306-18 SUC306-19	SFL306	1.92
SUCFL307 SUCFL307-20 SUCFL307-21 SUCFL307-22	1-1/4 1-5/16 1-3/8	35	185	141	20	100	16	36	23	49	19.0	SUC307 SUC307-20 SUC307-21 SUC307-22	SFL307	2.66
SUCFL308 SUCFL308-24 SUCFL308-25	1-1/2 1-9/16	40	200	158	23	112	17	40	23	56	19.0	SUC308 SUC308-24 SUC308-25	SFL308	3.50
SUCFL309 SUCFL309-26 SUCFL309-27 SUCFL309-28	1-5/8 1-11/16 1-3/4	45	230	177	25	125	18	44	25	60	22	SUC309 SUC309-26 SUC309-27 SUC309-28	SFL309	4.68
SUCFL310 SUCFL310-30 SUCFL310-31	1-7/8 1-15/16	50	240	187	28	140	19	48	25	67	22	SUC310 SUC310-30 SUC310-31	SFL310	6.44
SUCFL311 SUCFL311-32 SUCFL311-34 SUCFL311-35	2 2-1/8 2-3/16	55	250	198	30	150	20	52	25	71	25	SUC311 SUC311-32 SUC311-34 SUC311-35	SFL311	7.69
SUCFL312 SUCFL312-36 SUCFL312-38 SUCFL312-39	2-1/4 2-3/8 2-7/16	60	270	212	33	160	22	56	31	78	26	SUC312 SUC312-36 SUC312-38 SUC312-39	SFL312	9.40
SUCFL313 SUCFL313-40	2-1/2	65	295	240	33	175	25	58	31	78	30	SUC313 SUC313-40	SFL313	11.70
SUCFL314 SUCFL314-44	2-3/4	70	315	250	36	185	28	61	35	81	33	SUC314 SUC314-44	SFL314	13.40
SUCFL315 SUCFL315-48	3	75	320	260	39	195	30	66	35	89	32	SUC315 SUC315-48	SFL315	15.40
SUCFL316 SUCFL316-50	3-1/8	80	355	285	38	210	32	68	38	90	34	SUC316 SUC316-50	SFL316	13.75
SUCFL317 SUCFL317-52	3-1/4	85	370	300	44	220	32	74	38	100	40	SUC317 SUC317-52	SFL317	17.20
SUCFL318 SUCFL318-56	3-1/2	90	385	315	44	235	36	76	38	100	40	SUC318 SUC318-56	SFL318	20.10
SUCFL319 SUCFL319-60	3-3/4	95	405	330	59	250	40	94	41	121	41	SUC319 SUC319-60	SFL319	24.75
SUCFL320 SUCFL320-64	4	100	440	360	59	270	40	94	44	125	42	SUC320 SUC320-64	SFL320	27.58
SUCFL321	/	105	440	360	59	270	40	94	44	127	44	SUC321	SFL321	27.30
SUCFL322	/	110	470	390	60	300	42	96	44	131	46	SUC322	SFL322	34.70
SUCFL324	/	120	520	430	65	330	48	110	47	140	51	SUC324	SFL324	48.20
SUCFL326	/	130	550	460	65	360	50	115	47	146	54	SUC326	SFL326	61.30
SUCFL328	/	140	600	600	75	400	60	125	51	161	59	SUC328	SFL328	82.90

# 不锈钢带座外球面轴承

## STAINLESS STEEL BEARING UNITS

### SUCFT200

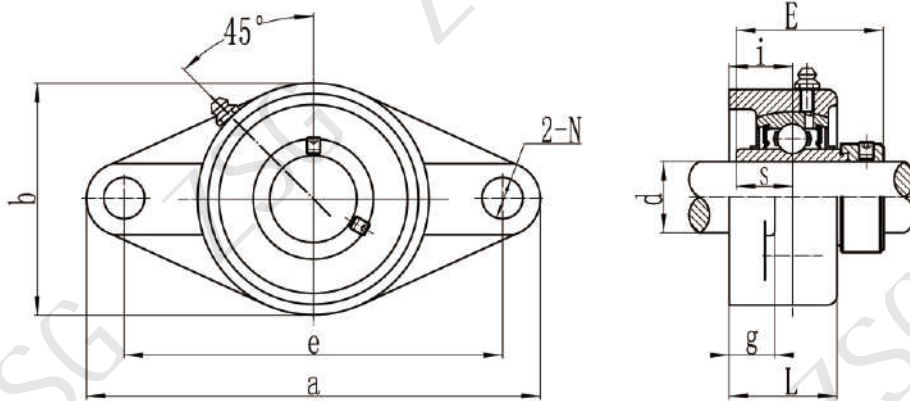


带座轴承型号 Bearing Unit No.	轴径 Bore Dia		外形尺寸 (毫米) Dimensions (mm)								轴承 Bearing No.	轴承座 Housing No.	重量 Weight (kg)	
	d		a	e	i	b	g	L	N	E				S
	in	mm												
SUCFT201S SUCFT201-8S SUCFT202S SUCFT202-10S SUCFT203S SUCFT203-11S	1/2 5/8 11/16	12 15 17	99	76.2	15	55	12	25	10.5	31	10	SUC201S SUC201-8S SUC202S SUC202-10S SUC203S SUC203-11S	SFT203	0.48
SUCFT201 SUCFT201-8 SUCFT202 SUCFT202-10 SUCFT203 SUCFT203-11 SUCFT204 SUCFT204-12	1/2 5/8 11/16 3/4	12 15 17 20	113	89.7	15	60.3	12	25.5	10.5	33.3	12.7	SUC201 SUC201-8 SUC202 SUC202-10 SUC203 SUC203-11 SUC204 SUC204-12	SFT204	0.50
SUCFT205 SUCFT205-14 SUCFT205-15 SUCFT205-16	7/8 15/16 1	25	124	98.8	16	68	13.5	27	12.5	35.8	14.3	SUC205 SUC205-14 SUC205-15 SUC205-16	SFT205	0.80
SUCFT206 SUCFT206-17 SUCFT206-18 SUCFT206-19 SUCFT206-20	1-1/16 1-1/8 1-3/16 1-1/4	30	141	116.7	18	79	13.5	31	12.5	40.2	15.9	SUC206 SUC206-17 SUC206-18 SUC206-19 SUC206-20	SFT206	1.10
SUCFT207 SUCFT207-20 SUCFT207-21 SUCFT207-22 SUCFT207-23	1-1/4 1-5/16 1-3/8 1-7/16	35	155	130	19	89	15	34	14	44.4	17.5	SUC207 SUC207-20 SUC207-21 SUC207-22 SUC207-23	SFT207	1.62
SUCFT208 SUCFT208-24 SUCFT208-25	1-1/2 1-9/16	40	171	143.7	21	99	15	36	14	51.2	19.0	SUC208 SUC208-24 SUC208-25	SFT208	1.81
SUCFT209 SUCFT209-26 SUCFT209-27 SUCFT209-28	1-5/8 1-11/16 1-3/4	45	179	148.4	22	107	15	38	16	52.2	19.0	SUC209 SUC209-26 SUC209-27 SUC209-28	SFT209	2.05
SUCFT210 SUCFT210-29 SUCFT210-30 SUCFT210-31 SUCFT210-32	1-13/16 1-7/8 1-15/16 2	50	189	157	22	115	15	39	16	54.6	19.0	SUC210 SUC210-29 SUC210-30 SUC210-31 SUC210-32	SFT210	2.23
SUCFT211 SUCFT211-32 SUCFT211-33 SUCFT211-34 SUCFT211-35	2 2-1/16 2-1/8 2-3/16	55	217	184	25	133	19	44	19	58.4	22.2	SUC211 SUC211-32 SUC211-33 SUC211-34 SUC211-35	SFT211	3.32
SUCFT212 SUCFT212-36 SUCFT212-37 SUCFT212-38 SUCFT212-39	2-1/4 2-5/6 2-3/8 2-7/16	60	236	202	29	140	20	48	23	68.7	25.4	SUC212 SUC212-36 SUC212-37 SUC212-38 SUC212-39	SFT212	4.1

# 不锈钢带座外球面轴承

## STAINLESS STEEL BEARING UNITS

### SHCFLU200

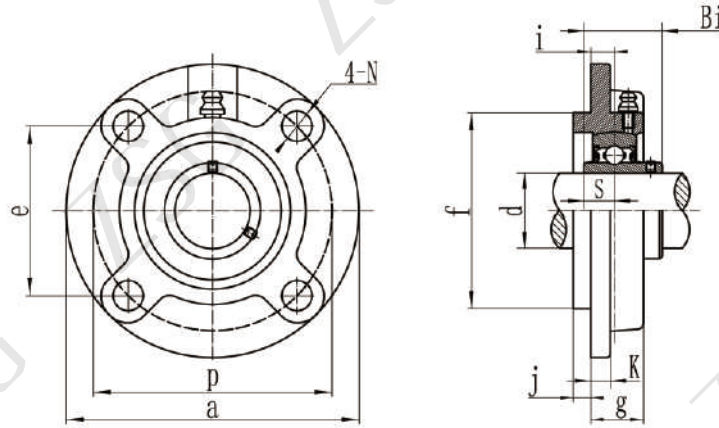


带座轴承型号 Bearing Unit No.	轴径 Bore Dia		外形尺寸 (毫米) Dimensions (mm)									轴承 Bearing No.	轴承座 Housing No.	重量 Weight (kg)
	d		a	e	b	i	g	L	N	E	S			
	in	mm												
SHCFLU204 SHCFLU204-12	3/4	20	112.5	90	61	19	15	29.5	11.5	39.3	12.7	SHC204 SHC204-12	SFLU204	0.59
SHCFLU205 SHCFLU205-14 SHCFLU205-15 SHCFLU205-16	7/8 15/16 1	25	123	99	70	19	15	30	11.5	41.2	14.3	SHC205 SHC205-14 SHC205-15 SHC205-16	SFLU205	0.65
SHCFLU206 SHCFLU206-18 SHCFLU206-19 SHCFLU206-20	1-1/8 1-3/16 1-1/4	30	142	116.5	82	20	16	32.5	11.5	46	15.9	SHC206 SHC206-18 SHC206-19 SHC206-20	SFLU206	0.94
SHCFLU207 SHCFLU207-20 SHCFLU207-21 SHCFLU207-22 SHCFLU207-23	1-1/4 1-5/16 1-3/8 1-7/16	35	158	130	94	21	17	36	14	49.8	17.5	SHC207 SHC207-20 SHC207-21 SHC207-22 SHC207-23	SFLU207	1.1
SHCFLU208 SHCFLU208-24 SHCFLU208-25	1-1/2 1-9/16	40	172	143.5	103	24	17	39	14	53.9	19	SHC208 SHC208-24 SHC208-25	SFLU208	1.16
SHCFLU209 SHCFLU209-26 SHCFLU209-27 SHCFLU209-28	1-5/8 1-11/16 1-3/4	45	180	148.5	108	24	18	40	16	54	19.1	SHC209 SHC209-26 SHC209-27 SHC209-28	SFLU209	1.58
SHCFLU210 SHCFLU210-30 SHCFLU210-31 SHCFLU210-32	1-7/8 1-15/16 2	50	190	157	114	28	20	45	18	57.1	19	SHC210 SHC210-30 SHC210-31 SHC210-32	SFLU210	1.62
SHCFLU211 SHCFLU211-32 SHCFLU211-34 SHCFLU211-35	2 2-1/8 2-3/16	55	217	184	128	31	21	48	18	65.8	22.2	SHC211 SHC211-32 SHC211-34 SHC211-35	SFLU211	2.4
SHCFLU212 SHCFLU212-36 SHCFLU212-38 SHCFLU212-39	2-1/4 2-3/8 2-7/16	60	237	202	138	34	21	53	18	72.2	25.4	SHC212 SHC212-36 SHC212-38 SHC212-39	SFLU212	3.2

# 不锈钢带座外球面轴承

## STAINLESS STEEL BEARING UNITS

### SUCFC200

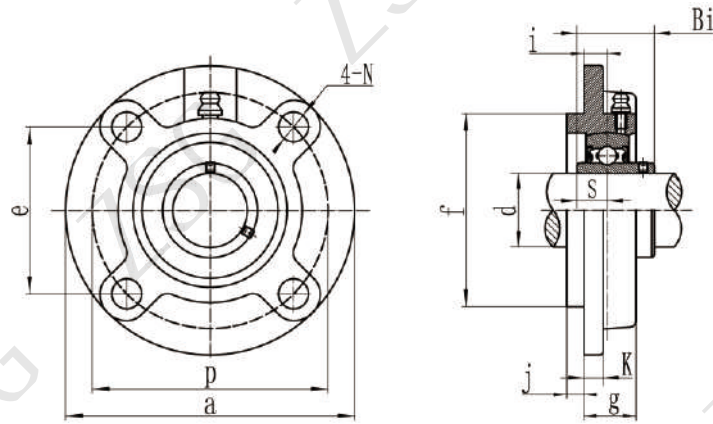


带座轴承型号 Bearing Unit No.	轴径 Bore Dia		外形尺寸 (毫米) Dimensions (mm)										轴承 Bearing No.	轴承座 Housing No.	重量 Weight (kg)	
	d		a	p	e	i	f	N	g	j	k	Bi				S
	in	mm														
SUCFC201 SUCFC201-8 SUCFC202 SUCFC202-10 SUCFC203 SUCFC203-11	1/2 5/8 11/16	12 15 17	100	78	55.1	10	62	12	20.5	5	7	31	12.7	SUC201 SUC201-8 SUC202 SUC202-10 SUC203 SUC203-11	SFC203	1.00
SUCFC204 SUCFC204-12	3/4	20	100	78	55.1	10	62	12	20.5	5	7	31	12.7	SUC204 SUC204-12	SFC204	0.96
SUCFC205 SUCFC205-14 SUCFC205-15 SUCFC205-16	7/8 15/16 1	25	115	90	63.6	10	70	12	21	6	7	34.1	14.3	SUC205 SUC205-14 SUC205-15 SUC205-16	SFC205	1.24
SUCFC206 SUCFC206-17 SUCFC206-18 SUCFC206-19 SUCFC206-20	1-1/16 1-1/8 1-3/16 1-1/4	30	125	100	70.7	10	80	12	23	8	8	38.1	15.9	SUC206 SUC206-17 SUC206-18 SUC206-19 SUC206-20	SFC206	1.66
SUCFC207 SUCFC207-20 SUCFC207-21 SUCFC207-22 SUCFC207-23	1-1/4 1-5/16 1-3/8 1-7/16	35	135	110	77.8	11	90	14	26	8	9	42.9	17.5	SUC207 SUC207-20 SUC207-21 SUC207-22 SUC207-23	SFC207	2.11
SUCFC208 SUCFC208-24 SUCFC208-25	1-1/2 1-9/16	40	145	120	84.8	11	100	14	26	10	9	49.2	19.0	SUC208 SUC208-24 SUC208-25	SFC208	2.48
SUCFC209 SUCFC209-26 SUCFC209-27 SUCFC209-28	1-5/8 1-11/16 1-3/4	45	160	132	93.3	10	105	16	26	12	14	49.2	19.0	SUC209 SUC209-26 SUC209-27 SUC209-28	SFC209	3.35
SUCFC210 SUCFC210-29 SUCFC210-30 SUCFC210-31 SUCFC210-32	1-13/16 1-7/8 1-15/16 2	50	165	138	97.6	10	110	16	28	12	14	51.6	19.0	SUC210 SUC210-29 SUC210-30 SUC210-31 SUC210-32	SFC210	3.58
SUCFC211 SUCFC211-32 SUCFC211-33 SUCFC211-34 SUCFC211-35	2 2-1/16 2-1/8 2-3/16	55	185	150	106.1	13	125	19	31	12	15	55.6	22.2	SUC211 SUC211-32 SUC211-33 SUC211-34 SUC211-35	SFC211	5.07
SUCFC212 SUCFC212-36 SUCFC212-37 SUCFC212-38 SUCFC212-39	2-1/4 2-5/16 2-3/8 2-7/16	60	195	160	113.1	17	135	19	36	12	15	65.1	25.4	SUC212 SUC212-36 SUC212-37 SUC212-38 SUC212-39	SFC212	5.97
SUCFC213 SUCFC213-40 SUCFC213-41	2-1/2 2-9/16	65	205	170	120.2	16	145	19	36	14	15	65.1	25.4	SUC213 SUC213-40 SUC213-41	SFC213	6.50
SUCFC214 SUCFC214-42 SUCFC214-43 SUCFC214-44	2-5/8 2-11/16 2-3/4	70	215	177	125.1	17	150	19	40	14	18	74.6	30.2	SUC214 SUC214-42 SUC214-43 SUC214-44	SFC214	7.86
SUCFC215 SUCFC215-45 SUCFC215-46 SUCFC215-47 SUCFC215-48	2-13/16 2-7/8 2-15/16 3	75	220	184	130.1	18	160	19	40	16	18	77.8	33.3	SUC215 SUC215-45 SUC215-46 SUC215-47 SUC215-48	SFC215	8.59
SUCFC216 SUCFC216-50	3-1/8	80	240	200	141.4	18	170	23	42	16	18	82.6	33.3	SUC216 SUC216-50	SFC216	10.52
SUCFC217 SUCFC217-52	3-1/4	85	250	208	147.1	18	180	23	45	18	20	85.7	34.1	SUC217 SUC217-52	SFC217	12.46
SUCFC218 SUCFC218-56	3-1/2	90	265	220	155.5	22	190	23	50	18	20	96	39.7	SUC218 SUC218-56	SFC218	14.83

# 不锈钢带座外球面轴承

## STAINLESS STEEL BEARING UNITS

SUCFCX00

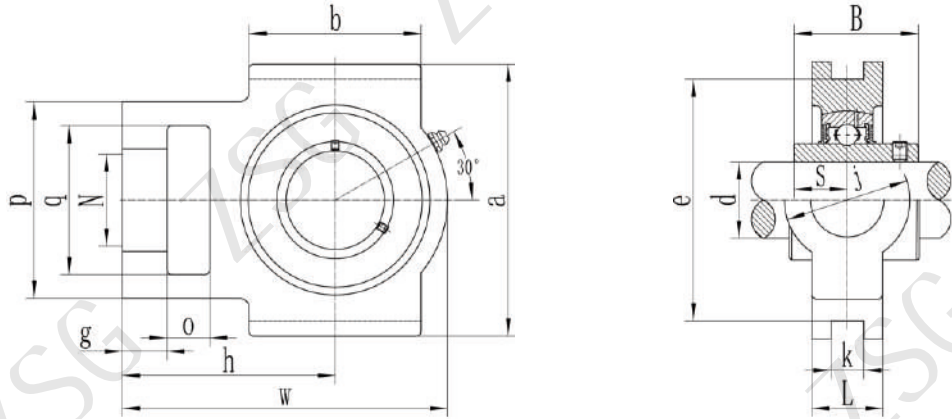


带座轴承型号 Bearing Unit No.	轴径 Bore Dia		外形尺寸 (毫米) Dimensions (mm)											轴承 Bearing No.	轴承座 Housing No.	重量 Weight (kg)
	d		a	p	e	i	f	N	g	j	k	Bi	S			
	in	mm														
SUCFCX05 SUCFCX05-14 SUCFCX05-15 SUCFCX05-16	7/8 15/16 1	25	111	92	65	10	76.2	9.5	24	6	9.5	38.1	15.9	SUCX05 SUCX05-14 SUCX05-15 SUCX05-16	SFCX05	1.06
SUCFCX06 SUCFCX06-17 SUCFCX06-18 SUCFCX06-19 SUCFCX06-20	1-1/8 1-3/16 1-1/4	30	127	105	74.2	8	85.7	12	22.5	9.5	9.5	42.9	17.5	SUCX06 SUCX06-17 SUCX06-18 SUCX06-19 SUCX06-20	SFCX06	1.46
SUCFCX07 SUCFCX07-20 SUCFCX07-21 SUCFCX07-22 SUCFCX07-23	1-1/4 1-5/16 1-3/8 1-7/16	35	133	111	78.5	9	92.1	12	26	11	11	49.2	19.0	SUCX07 SUCX07-20 SUCX07-21 SUCX07-22 SUCX07-23	SFCX07	1.88
SUCFCX08 SUCFCX08-24 SUCFCX08-25	1-1/2 1-9/16	40	133	111	78.5	9	92.1	12	26	11	11	49.2	19.0	SUCX08 SUCX08-24 SUCX08-25	SFCX08	1.85
SUCFCX09 SUCFCX09-26 SUCFCX09-27 SUCFCX09-28	1-5/8 1-11/16 1-3/4	45	155	130	91.9	8	108	14	25	12	11	51.6	19.0	SUCX09 SUCX09-26 SUCX09-27 SUCX09-28	SFCX09	2.73
SUCFCX10 SUCFCX10-29 SUCFCX10-30 SUCFCX10-31 SUCFCX10-32	1-13/16 1-7/8 1-15/16 2	50	162	136	96.2	7	114.3	14	25	16	11	55.6	22.2	SUCX10 SUCX10-29 SUCX10-30 SUCX10-31 SUCX10-32	SFCX10	3.13
SUCFCX11 SUCFCX11-32 SUCFCX11-33 SUCFCX11-34 SUCFCX11-35	2 2-1/16 2-1/8 2-3/16	55	180	152	107.5	4	127	16	26	22	13	65.1	25.4	SUCX11 SUCX11-32 SUCX11-33 SUCX11-34 SUCX11-35	SFCX11	4.23
SUCFCX12 SUCFCX12-36 SUCFCX12-37 SUCFCX12-38 SUCFCX12-39	2-1/4 2-5/16 2-3/8 2-7/16	60	194	165	116.7	11	139.7	16	33	20	14	65.1	25.4	SUCX12 SUCX12-36 SUCX12-37 SUCX12-38 SUCX12-39	SFCX12	5.30
SUCFCX13 SUCFCX13-40 SUCFCX13-41	2-1/2 2-9/16	65	194	165	116.7	11	139.7	16	33	20	14	74.6	30.2	SUCX13 SUCX13-40 SUCX13-41	SFCX13	5.48
SUCFCX14 SUCFCX14-42 SUCFCX14-43 SUCFCX14-44	2-5/8 2-11/16 2-3/4	70	222	190	134.3	14	161.9	19	36	20	14	77.8	33.3	SUCX14 SUCX14-42 SUCX14-43 SUCX14-44	SFCX14	7.22
SUCFCX15 SUCFCX15-45 SUCFCX15-46 SUCFCX15-47 SUCFCX15-48	2-13/16 2-7/8 2-15/16 3	75	222	190	134.3	12	161.9	19	35	22	16	82.6	33.3	SUCX15 SUCX15-45 SUCX15-46 SUCX15-47 SUCX15-48	SFCX15	7.92
SUCFCX16 SUCFCX16-50	3-1/8	80	260	219	154.8	10	187.3	23	36	25	19	85.7	34.1	SUCX16 SUCX16-50	SFCX16	11.32
SUCFCX17 SUCFCX17-52	3-1/4	85	260	219	154.8	10	187.3	23	36	25	19	96	39.7	SUCX17 SUCX17-52	SFCX17	11.95
SUCFCX18 SUCFCX18-56	3-1/2	90	260	219	154.8	12	187.3	23	43	28	19	104	42.9	SUCX18 SUCX18-56	SFCX18	12.09
SUCFCX20 SUCFCX20-64	4	100	276	238	168.3	22	206.4	23	66	28	22	117.5	49.2	SUCX20 SUCX20-64	SFCX20	16.25

# 不锈钢带座外球面轴承

## STAINLESS STEEL BEARING UNITS

### SUCT200

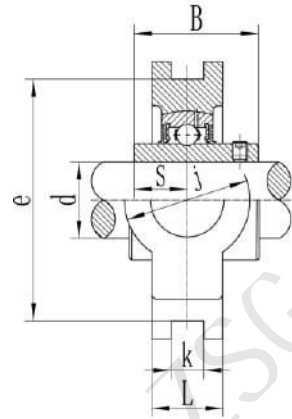
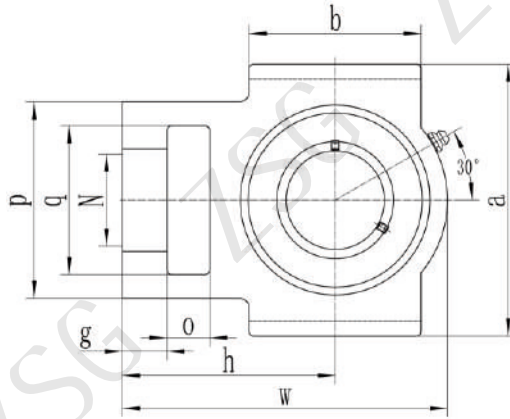


带座轴承型号 Bearing Unit No.	轴径 Bore Dia		外形尺寸 (毫米) Dimensions (mm)														轴承 Bearing No.	轴承座 Housing No.	重量 Weight (kg)	
	d		w	h	g	b	N	q	o	a	e	p	j	k	L	B				S
	in	mm																		
SUCT201 SUCT201-8 SUCT202 SUCT202-10 SUCT203 SUCT203-11	1/2 5/8 11/16	12 15 17	94	61	10	51	19	32	16	89	76	51	32	12	21	31.0	12.7	SUC201 SUC201-8 SUC202 SUC202-10 SUC203 SUC203-11	ST203	0.93
SUCT204 SUCT204-12	3/4	20	94	61	10	51	19	32	16	89	76	51	32	12	21	31.0	12.7	SUC204 SUC204-12	ST204	0.89
SUCT205 SUCT205-14 SUCT205-15 SUCT205-16	7/8 15/16 1	25	97	62	10	51	19	32	16	89	76	51	32	12	24	34.1	14.3	SUC205 SUC205-14 SUC205-15 SUC205-16	ST205	0.99
SUCT206 SUCT206-17 SUCT206-18 SUCT206-19 SUCT206-20	1-1/16 1-1/8 1-3/16 1-1/4	30	113	70	11	57	22	37	16	102	89	56	37	12	28	38.1	15.9	SUC206 SUC206-17 SUC206-18 SUC206-19 SUC206-20	ST206	1.46
SUCT207 SUCT207-20 SUCT207-21 SUCT207-22 SUCT207-23	1-1/4 1-5/16 1-3/8 1-7/16	35	130	78	14	64	22	37	16	102	89	64	37	12	30	42.9	17.5	SUC207 SUC207-20 SUC207-21 SUC207-22 SUC207-23	ST207	1.81
SUCT208 SUCT208-24 SUCT208-25	1-1/2 1-9/16	40	144	88	17	83	29	49	19	114	102	83	49	16	33	49.2	19.0	SUC208 SUC208-24 SUC208-25	ST208	2.68
SUCT209 SUCT209-26 SUCT209-27 SUCT209-28	1-5/8 1-11/16 1-3/4	45	145	87	17	83	29	49	19	117	102	83	49	16	35	49.2	19.0	SUC209 SUC209-26 SUC209-27 SUC209-28	ST209	2.99
SUCT210 SUCT210-29 SUCT210-30 SUCT210-31 SUCT210-32	1-13/16 1-7/8 1-15/16 2	50	150	90	17	86	29	49	19	117	102	83	49	16	37	51.6	19.0	SUC210 SUC210-29 SUC210-30 SUC210-31 SUC210-32	ST210	2.98
SUCT211 SUCT211-32 SUCT211-33 SUCT211-34 SUCT211-35	2 2-1/16 2-1/8 2-3/16	55	171	106	19	95	35	64	25	145	130	102	64	22	38	55.6	22.2	SUC211 SUC211-32 SUC211-33 SUC211-34 SUC211-35	ST211	4.52
SUCT212 SUCT212-36 SUCT212-37 SUCT212-38 SUCT212-39	2-1/4 2-5/16 2-3/8 2-7/16	60	194	119	19	102	35	64	32	145	130	102	64	22	42	65.1	25.4	SUC212 SUC212-36 SUC212-37 SUC212-38 SUC212-39	ST212	5.57
SUCT213 SUCT213-40 SUCT213-41	2-1/2 2-9/16	65	223	137	21	120	41	70	32	167	151	111	70	26	44	65.1	25.4	SUC213 SUC213-40 SUC213-41	ST213	7.60
SUCT214 SUCT214-42 SUCT214-43 SUCT214-44	2-5/8 2-11/16 2-3/4	70	223	137	21	120	41	70	32	167	151	111	70	26	46	74.6	30.2	SUC214 SUC214-42 SUC214-43 SUC214-44	ST214	7.66
SUCT215 SUCT215-45 SUCT215-46 SUCT215-47 SUCT215-48	2-13/16 2-7/8 2-15/16 3	75	232	140	21	121	41	70	32	167	151	111	70	26	48	77.8	33.3	SUC215 SUC215-45 SUC215-46 SUC215-47 SUC215-48	ST215	8.29
SUCT216 SUCT216-50	3-1/8	80	234	140	21	121	41	70	32	184	165	111	70	26	51	82.6	33.3	SUC216 SUC216-50	ST216	9.32
SUCT217 SUCT217-52	3-1/4	85	258	162	29	157	48	73	38	198	173	123	73	30	54	85.7	34.1	SUC217 SUC217-52	ST217	11.96
SUCT218 SUCT218-56	3-1/2	90	275	170	30	140	48	80	40	215	190	130	80	30	55	96	39.7	SUC218 SUC218-56	ST218	14.73

# 不锈钢带座外球面轴承

## STAINLESS STEEL BEARING UNITS

SUCT300

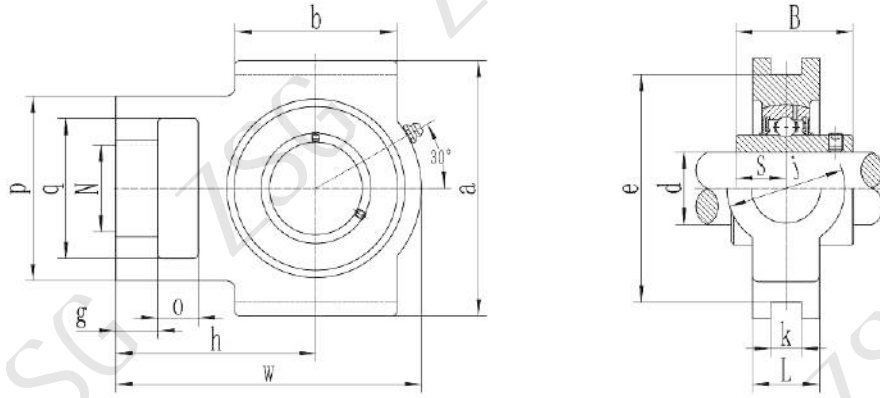


带座轴承型号 Bearing Unit No.	轴径 Bore Dia		外形尺寸 (毫米) Dimensions (mm)													轴承 Bearing No.	轴承座 Housing No.	重量 Weight (kg)		
	d		w	h	g	b	N	q	o	a	e	p	j	k	L				B	S
	in	mm																		
SUCT305 SUCT305-14 SUCT305-15 SUCT305-16	7/8 15/16 1	25	122	76	12	65	26	36	16	89	80	62	36	12	26	38	15	SUC305 SUC305-14 SUC305-15 SUC305-16	ST305	1.4
SUCT306 SUCT306-18 SUCT306-19	1-1/8 1-3/16	30	137	85	14	74	28	41	18	100	90	70	41	16	28	43	17	SUC306 SUC306-18 SUC306-19	ST306	1.80
SUCT307 SUCT307-20 SUCT307-21 SUCT307-22	1-1/4 1-5/16 1-3/8	35	150	94	15	80	30	45	20	111	100	75	45	16	32	48	19	SUC307 SUC307-20 SUC307-21 SUC307-22	ST307	2.44
SUCT308 SUCT308-24 SUCT308-25	1-1/2 1-9/16	40	162	100	17	89	32	50	22	124	112	83	50	18	34	52	19	SUC308 SUC308-24 SUC308-25	ST308	3.04
SUCT309 SUCT309-26 SUCT309-27 SUCT309-28	1-5/8 1-11/16 1-3/4	45	178	110	18	97	34	55	24	138	125	90	55	18	38	57	22	SUC309 SUC309-26 SUC309-27 SUC309-28	ST309	3.33
SUCT310 SUCT310-30 SUCT310-31	1-7/8 1-15/16	50	191	117	20	106	37	61	27	151	140	98	61	20	40	61	22	SUC310 SUC310-30 SUC310-31	ST310	5.00
SUCT311 SUCT311-32 SUCT311-34 SUCT311-35	2 2-1/8 2-3/16	55	207	127	21	115	39	66	29	163	150	105	66	22	44	66	25	SUC311 SUC311-32 SUC311-34 SUC311-35	ST311	6.43
SUCT312 SUCT312-36 SUCT312-38 SUCT312-39	2-1/4 2-3/8 2-7/16	60	220	135	23	123	41	71	31	178	160	113	71	22	46	71	26	SUC312 SUC312-36 SUC312-38 SUC312-39	ST312	7.50
SUCT313 SUCT313-40	2-1/2	65	238	146	25	134	43	71	32	190	170	116	80	26	50	75	30	SUC313 SUC313-40	ST313	9.77
SUCT314 SUCT314-44	2-3/4	70	252	155	25	140	46	85	36	202	180	130	90	26	52	78	33	SUC314 SUC314-44	ST314	11.01
SUCT315 SUCT315-48	3	75	262	160	25	150	46	85	36	216	192	132	90	26	55	82	32	SUC315 SUC315-48	ST315	13.46
SUCT316 SUCT316-50	3-1/8	80	282	174	28	160	53	98	42	230	204	150	102	30	60	86	34	SUC316 SUC316-50	ST316	14.75
SUCT317 SUCT317-52	3-1/4	85	298	183	30	170	53	98	42	240	214	152	102	32	64	96	40	SUC317 SUC317-52	ST317	17.70
SUCT318 SUCT318-56	3-1/2	90	312	192	30	175	57	106	46	255	228	160	110	32	66	96	40	SUC318 SUC318-56	ST318	21.10
SUCT319 SUCT319-60	2-3/4	95	322	197	31	180	57	106	46	270	240	165	110	35	72	103	41	SUC319 SUC319-60	ST319	23.25
SUCT320 SUCT320-64	4	100	345	210	32	200	59	115	48	290	260	175	120	35	75	108	42	SUC320 SUC320-64	ST320	26.28
SUCT321	/	105	345	210	32	200	59	115	48	290	260	175	120	35	75	112	44	SUC321	ST321	27.3
SUCT322	/	110	385	235	38	215	65	125	52	320	285	185	130	38	80	117	46	SUC322	ST322	37.5
SUCT324	/	120	432	267	42	230	70	140	60	355	320	210	140	45	90	126	51	SUC324	ST324	48.7
SUCT326	/	130	465	285	45	240	75	150	65	385	350	220	150	50	100	135	54	SUC326	ST326	62.3
SUCT328	/	140	515	315	50	255	80	160	70	415	380	230	155	50	100	145	59	SUC328	ST328	89.7

# 不锈钢带座外球面轴承

## STAINLESS STEEL BEARING UNITS

### SUCST200

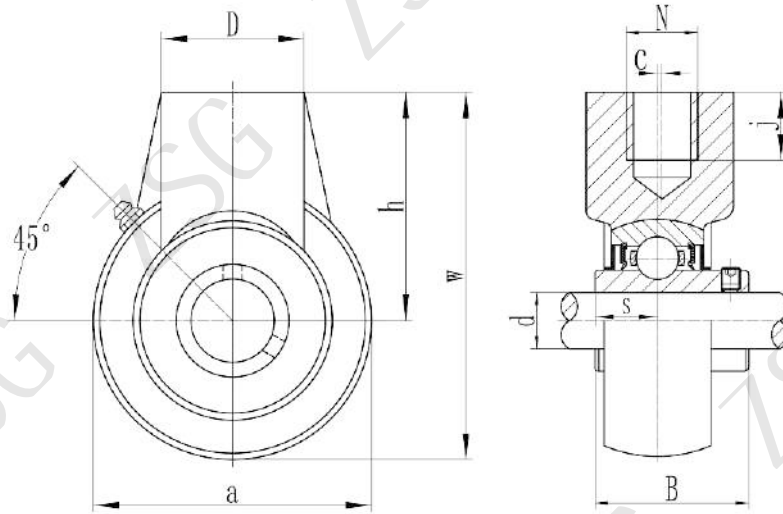


带座轴承型号 Bearing Unit No.	轴径 Bore Dia		外形尺寸 (毫米) Dimensions (mm)														轴承 Bearing No.	轴承座 Housing No.	重量 Weight (kg)	
	d		w	h	g	b	N	q	o	a	e	p	j	k	L	B				S
	in	mm																		
SUCST201 SUCST201-8 SUCST202 SUCST202-10 SUCST203 SUCST203-11	1/2 5/8 11/16	12 15 17																SUC201 SUC201-8 SUC202 SUC202-10 SUC203 SUC203-11	SST203	0.93
SUCST204 SUCST204-12	3/4	20	94	61	10	51	19	32	16	89	76	51	32	13.5	21	31.0	12.7	SUC204 SUC204-12	SST204	0.89
SUCST205 SUCST205-14 SUCST205-15 SUCST205-16	7/8 15/16 1	25	97	62	10	51	19	32	16	89	76	51	32	13.5	24	34.1	14.3	SUC205 SUC205-14 SUC205-15 SUC205-16	SST205	0.99
SUCST206 SUCST206-17 SUCST206-18 SUCST206-19 SUCST206-20	1-1/16 1-1/8 1-3/16 1-1/4	30	113	70	11	57	22	37	16	102	89	56	37	13.5	28	38.1	15.9	SUC206 SUC206-17 SUC206-18 SUC206-19 SUC206-20	SST206	1.46
SUCST207 SUCST207-20 SUCST207-21 SUCST207-22 SUCST207-23	1-1/4 1-5/16 1-3/8 1-7/16	35	130	78	14	64	22	37	16	102	89	64	37	13.5	30	42.9	17.5	SUC207 SUC207-20 SUC207-21 SUC207-22 SUC207-23	SST207	1.81
SUCST208 SUCST208-24 SUCST208-25	1-1/2 1-9/16	40	144	88	17	83	29	49	19	114	102	83	49	17.5	33	49.2	19.0	SUC208 SUC208-24 SUC208-25	SST208	2.68
SUCST209 SUCST209-26 SUCST209-27 SUCST209-28	1-5/8 1-11/16 1-3/4	45	145	87	17	83	29	49	19	117	102	83	49	17.5	35	49.2	19.0	SUC209 SUC209-26 SUC209-27 SUC209-28	SST209	2.99
SUCST210 SUCST210-29 SUCST210-30 SUCST210-31 SUCST210-32	1-13/16 1-7/8 1-15/16 2	50	150	90	17	86	29	49	19	117	102	83	49	17.5	37	51.6	19.0	SUC210 SUC210-29 SUC210-30 SUC210-31 SUC210-32	SST210	2.98
SUCST211 SUCST211-32 SUCST211-33 SUCST211-34 SUCST211-35	2 2-1/16 2-1/8 2-3/16	55	171	106	19	95	35	64	25	145	130	102	64	27	38	55.6	22.2	SUC211 SUC211-32 SUC211-33 SUC211-34 SUC211-35	SST211	4.52
SUCST212 SUCST212-36 SUCST212-37 SUCST212-38 SUCST212-39	2-1/4 2-5/16 2-3/8 2-7/16	60	194	119	19	102	35	64	32	145	130	102	64	27	42	65.1	25.4	SUC212 SUC212-36 SUC212-37 SUC212-38 SUC212-39	SST212	5.57
SUCST213 SUCST213-40 SUCST213-41	2-1/2 2-9/16	65	223	137	21	120	41	70	32	167	151	111	70	27	44	65.1	25.4	SUC213 SUC213-40 SUC213-41	SST213	7.60

# 不锈钢带座外球面轴承

## STAINLESS STEEL BEARING UNITS

### SUCHA200

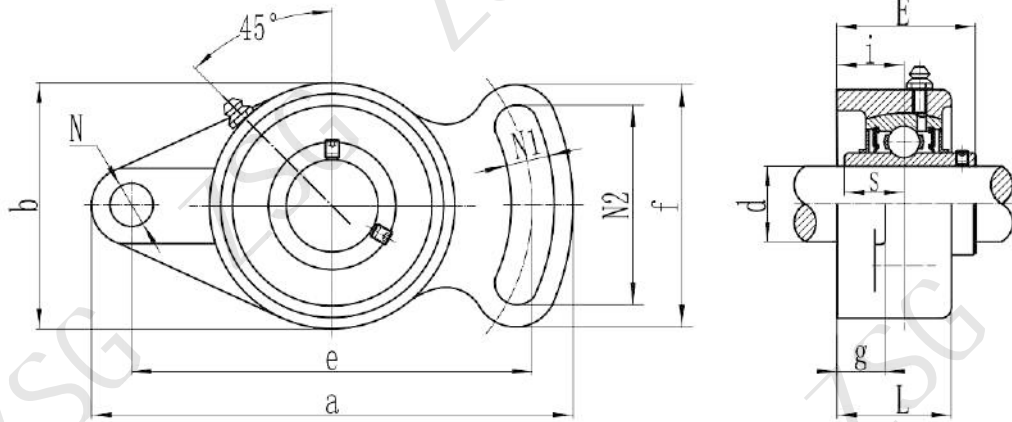


带座轴承型号 Bearing Unit No.	轴径 Bore Dia		外形尺寸 (毫米) Dimensions (mm)								轴承 Bearing No.	轴承座 Housing No.	重量 Weight (kg)	
	d		a	D	w	h	c	j	N	B				S
	in	mm												
SUCHA201 SUCHA201-8 SUCHA202 SUCHA202-10 SUCHA203 SUCHA203-11	1/2 5/8 11/16	12 15 17	64	40	96	64	0	19	PF3/4	31.0	12.7	SUC201 SUC201-8 SUC202 SUC202-10 SUC203 SUC203-11	SHA203	0.74
SUCHA204 SUCHA204-12	3/4	20	64	40	96	64	0	19	PF3/4	31.0	12.7	SUC204 SUC204-12	SHA204	0.69
SUCHA205 SUCHA205-14 SUCHA205-15 SUCHA205-16	7/8 15/16 1	25	78	40	103	64	0	19	PF3/4	34.1	14.3	SUC205 SUC205-14 SUC205-15 SUC205-16	SHA205	1.00
SUCHA206 SUCHA206-17 SUCHA206-18 SUCHA206-19 SUCHA206-20	1-1/16 1-1/8 1-3/16 1-1/4	30	78	40	103	64	0	19	PF3/4	38.1	15.9	SUC206 SUC206-17 SUC206-18 SUC206-19 SUC206-20	SHA206	1.00
SUCHA207 SUCHA207-20 SUCHA207-21 SUCHA207-22 SUCHA207-23	1-1/4 1-5/16 1-3/8 1-7/16	35	92	40	116	70	0	19	PF3/4	42.9	17.5	SUC207 SUC207-20 SUC207-21 SUC207-22 SUC207-23	SHA207	1.38
SUCHA208 SUCHA208-24 SUCHA208-25	1-1/2 1-9/16	40	96	40	121	73	2.0	19	PF3/4	49.2	19.0	SUC208 SUC208-24 SUC208-25	SHA208	1.64
SUCHA209 SUCHA209-26 SUCHA209-27 SUCHA209-28	1-5/8 1-11/16 1-3/4	45	108	48	136	82	5.0	21	PF1	49.2	19.0	SUC209 SUC209-26 SUC209-27 SUC209-28	SHA209	2.08
SUCHA210 SUCHA210-29 SUCHA210-30 SUCHA210-31 SUCHA210-32	1-13/16 1-7/8 1-15/16 2	50	118	48	142	83	5.0	21	PF1	51.6	19.0	SUC210 SUC210-29 SUC210-30 SUC210-31 SUC210-32	SHA210	2.61
SUCHA211 SUCHA211-32 SUCHA211-33 SUCHA211-34 SUCHA211-35	2 2-1/16 2-1/8 2-3/16	55	126	60	158	95	7.0	25	PF1-1/4	55.6	22.2	SUC211 SUC211-32 SUC211-33 SUC211-34 SUC211-35	SHA211	2.94
SUCHA212 SUCHA212-36 SUCHA212-37 SUCHA212-38 SUCHA212-39	2-1/4 2-5/16 2-3/8 2-7/16	60	142	60	173	102	9.0	28	PF1-1/4	65.1	25.4	SUC212 SUC212-36 SUC212-37 SUC212-38 SUC212-39	SHA212	4.40

# 不锈钢带座外球面轴承

## STAINLESS STEEL BEARING UNITS

SUCFA200

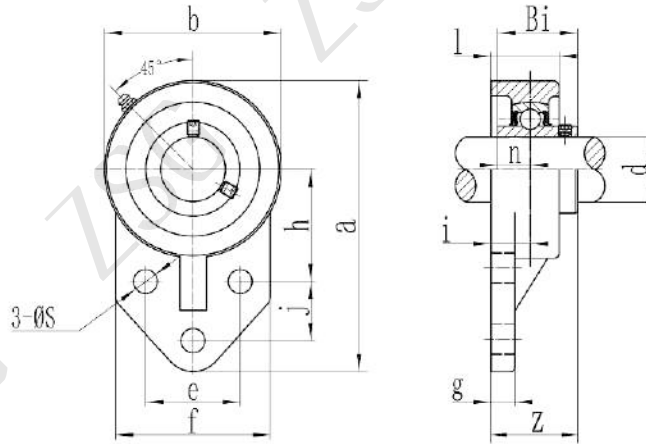


带座轴承型号 Bearing Unit No.	轴径 Bore Dia		外形尺寸 (毫米) Dimensions (mm)											轴承 Bearing No.	轴承座 Housing No.	重量 Weight (kg)			
	d		a	e	i	g	L	b	f	N	N1	N2	E				S		
	in	mm																	
SUCFA201	1/2	12	98	78	15	12	25.5	60	50	10	10	40	33.3	12.7	SUC201	SFA203	0.46		
SUCFA201-8		15													SUC202				
SUCFA202		17													SUC203				
SUCFA202-10	5/8	17	98	78	15	12	25.5	60	54	10	10	40	33.3	12.7	SUC204	SFA204	0.46		
SUCFA203	20														SUC204-12				
SUCFA203-11	11/16														25			SUC205	
SUCFA204	3/4	25	125	99	16	14	27	68	65	12	13	51	35.8	14.3	SUC205-14	SFA205	0.64		
SUCFA204-12		30													SUC205-15				
SUCFA205		7/8													35			SUC205-16	
SUCFA205-14	15/16	30	144	117	18	14	31	80	72	12	13	58	40.2	15.9	SUC206	SFA206	0.92		
SUCFA205-16	1														35			SUC206-17	
SUCFA206	1-1/16														40			SUC206-18	
SUCFA206-17	1-1/8	40	175	144	21	16	38	105	87	15	15	71	51.2	19.0	SUC206-19	SFA208	1.62		
SUCFA206-18	1-3/16														45			SUC208-24	
SUCFA206-19	1-1/4														50			SUC208-25	
SUCFA206-20	1-1/4	45	181	148	22	18	40	111	90	17	17	72	52.2	19.0	SUC209	SFA209	1.84		
SUCFA207	1-5/8														55			SUC209-26	
SUCFA207-20	1-11/16														190			SUC209-27	
SUCFA207-21	1-3/8	50	190	157	22	18	40	116	94	17	17	76	54.6	19.0	SUC210	SFA210	2.10		
SUCFA207-22	1-7/16														55			SUC210-29	
SUCFA207-23	2														190			SUC210-30	
SUCFA208	2	55	219	184	25	20	44	133	104	17	17	86	58.4	22.2	SUC210-31	SFA211	2.16		
SUCFA208-24															1-1/2			55	SUC211-32
SUCFA208-25															1-9/16			55	SUC211-33
SUCFA209	2-3/16	55	219	184	25	20	44	133	104	17	17	86	58.4	22.2	SUC210-32	SFA211	2.16		
SUCFA209-26															2			55	SUC211-34
SUCFA209-27															1-3/4			55	SUC211-35

# 不锈钢带座外球面轴承

## STAINLESS STEEL BEARING UNITS

### SUCFB200

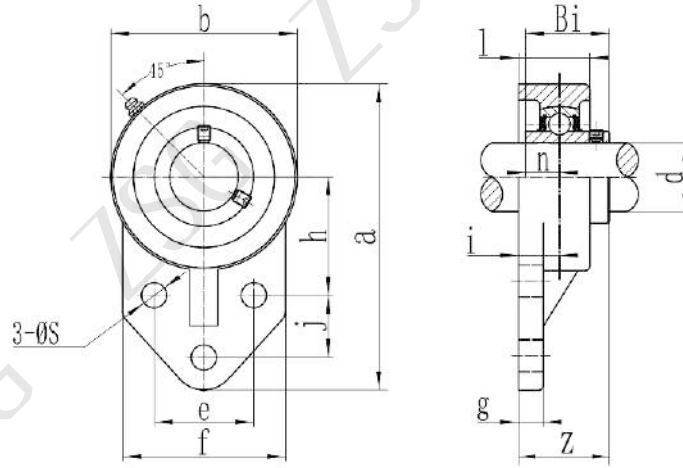


带座轴承型号 Bearing Unit No.	轴径 Bore Dia		外形尺寸 (毫米) Dimensions (mm)													轴承 Bearing No.	轴承座 Housing No.	重量 Weight (kg)
	d		a	h	e	j	i	g	l	s	b	f	z	Bi	n			
	in	mm																
SUCFB201		12														SUC201		
SUCFB201-8	1/2															SUC201-8		
SUCFB202		15														SUC202		
SUCFB202-9	9/16		108	43.3	38.1	22	15.9	8	25.4	10	63.5	60	34.2	31	12.7	SUC202-9	SFB203	0.71
SUCFB202-10	5/8															SUC202-10		
SUCFB203		17														SUC203		
SUCFB203-11	11/16															SUC203-11		
SUCFB204		20														SUC204		
SUCFB204-12	3/4		108	43.3	38.1	22	15.9	8	25.4	10	63.5	60	34.2	31	12.7	SUC204-12	SFB204	0.69
SUCFB205		25														SUC205		
SUCFB205-13	13/16															SUC205-13		
SUCFB205-14	7/8		121	46	41.3	28.5	16.7	9.5	28.5	10	70	63	36.5	34.1	14.3	SUC205-14	SFB205	0.87
SUCFB205-15	15/16															SUC205-15		
SUCFB205-16	1															SUC205-16		
SUCFB206		30														SUC206		
SUCFB206-17	1-1/16															SUC206-17		
SUCFB206-18	1-1/8		136	52.4	47.6	31.7	18.6	9.5	32	10	82	69.5	40.8	38.1	15.9	SUC206-18	SFB206	1.11
SUCFB206-19	1-3/16															SUC206-19		
SUCFB206-20	1-1/4															SUC206-20		
SUCFB207		35														SUC207		
SUCFB207-20	1-1/4															SUC207-20		
SUCFB207-21	1-5/16		156	60.3	50.8	31.7	21	13	36.5	13	95	82.5	46.4	42.9	17.5	SUC207-21	SFB207	1.27
SUCFB207-22	1-3/8															SUC207-22		
SUCFB207-23	1-7/16															SUC207-23		
SUCFB208		40														SUC208		
SUCFB208-24	1-1/2		164	60.3	50	41.3	21	16.5	35.7	12	100	78	51.2	49.2	19	SUC208-24	SFB208	1.54
SUCFB208-25	1-9/16															SUC208-25		
SUCFB209		45														SUC209		
SUCFB209-26	1-5/8															SUC209-26		
SUCFB209-27	1-11/16		174	65	54	42.9	21.8	18.3	38	12	105.5	80	52	49.2	19	SUC209-27	SFB209	2.36
SUCFB209-28	1-3/4															SUC209-28		
SUCFB210		50														SUC210		
SUCFB210-29	1-13/16															SUC210-29		
SUCFB210-30	1-7/8		190	74.6	70	41.3	21.8	13	38	13	118	101.5	54.4	51.6	19	SUC210-30	SFB210	2.38
SUCFB210-31	1-15/16															SUC210-31		
SUCFB210-32	2															SUC210-32		

# 不锈钢带座外球面轴承

## STAINLESS STEEL BEARING UNITS

SUCFK200

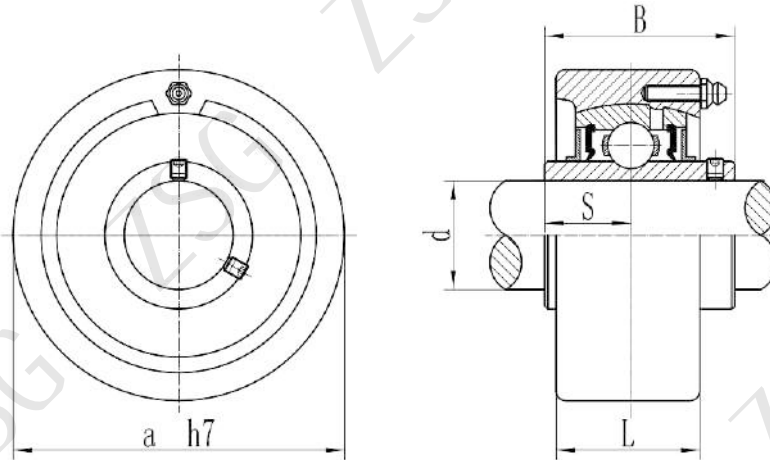


带座轴承型号 Bearing Unit No.	轴径 Bore Dia		外形尺寸 (毫米) Dimensions (mm)											轴承 Bearing No.	轴承座 Housing No.	重量 Weight (kg)		
	d		a	h	e	j	i	g	l	s	b	f	z				Bi	n
	in	mm																
SUCFK201		12														SUC201		
SUCFK201-8	1/2															SUC201-8		
SUCFK202		15														SUC202		
SUCFK202-9	9/16		110	42	32	27	15	13	25.5	10	62	52	33.3	31	12.7	SUC202-9	SFK203	0.53
SUCFK202-10	5/8															SUC202-10		
SUCFK203		17														SUC203		
SUCFK203-11	11/16															SUC203-11		
SUCFK204		20														SUC204		
SUCFK204-12	3/4		110	42	32	27	15	13	25.5	10	62	52	33.3	31	12.7	SUC204-12	SFK204	0.51
SUCFK205		25														SUC205		
SUCFK205-13	13/16															SUC205-13		
SUCFK205-14	7/8		116	45	34	27	16	13	27	10	68	56	35.7	34.1	14.3	SUC205-14	SFK205	0.6
SUCFK205-15	15/16															SUC205-15		
SUCFK205-16	1															SUC205-16		
SUCFK206		30														SUC206		
SUCFK206-17	1-1/16															SUC206-17		
SUCFK206-18	1-1/8		130	50	40	29	18	13	31	10	78	65	40.2	38.1	15.9	SUC206-18	SFK206	0.67
SUCFK206-19	1-3/16															SUC206-19		
SUCFK206-20	1-1/4															SUC206-20		
SUCFK207		35														SUC207		
SUCFK207-20	1-1/4															SUC207-20		
SUCFK207-21	1-5/16		144	55	46	32	19	15	34	10	90	70	44.4	42.9	17.5	SUC207-21	SFK207	0.81
SUCFK207-22	1-3/8															SUC207-22		
SUCFK207-23	1-7/16															SUC207-23		
SUCFK208		40														SUC208		
SUCFK208-24	1-1/2		164	60	50	41	21	16	36	12	100	78	51.2	49.2	19	SUC208-24	SFK208	0.75
SUCFK208-25	1-9/16															SUC208-25		
SUCFK209		45														SUC209		
SUCFK209-26	1-5/8															SUC209-26		
SUCFK209-27	1-11/16		174	65	54	43	22	18	38	12	106	80	52.2	49.2	19	SUC209-27	SFK209	1.5
SUCFK209-28	1-3/4															SUC209-28		
SUCFK210		50														SUC210		
SUCFK210-29	1-13/16															SUC210-29		
SUCFK210-30	1-7/8		184	68	58	46	22	18	40	13	112	86	54.6	51.6	19	SUC210-30	SFK210	1.7
SUCFK210-31	1-15/16															SUC210-31		
SUCFK210-32	2															SUC210-32		

# 不锈钢带座外球面轴承

## STAINLESS STEEL BEARING UNITS

SUCC200

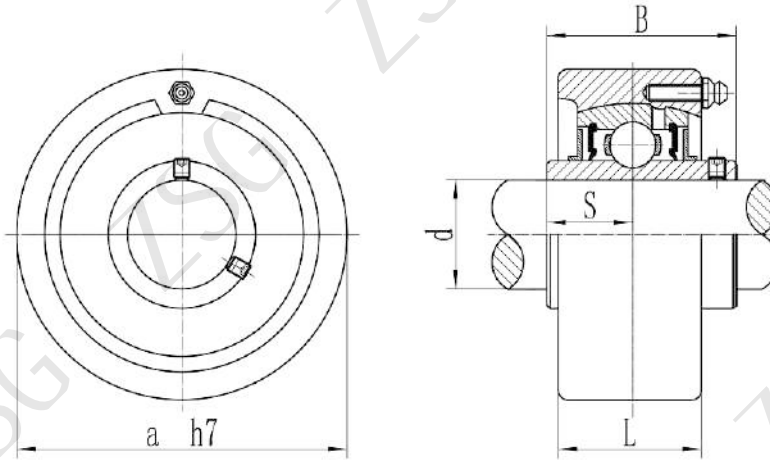


带座轴承型号 Bearing Unit No.	轴径 Bore Dia		外形尺寸 (毫米) Dimensions (mm)				轴承 Bearing No.	轴承座 Housing No.	重量 Weight (kg)
	d		a	L	B	S			
	in	mm							
SUCC201		12					SUC201		
SUCC201-8	1/2	15					SUC201-8		
SUCC202		15	72	20	31.0	12.7	SUC202	SC203	0.51
SUCC202-10	5/8	17					SUC202-10		
SUCC203		17					SUC203		
SUCC203-11	11/16	20					SUC203-11		
SUCC204		20	72	20	31.0	12.7	SUC204	SC204	0.49
SUCC204-12	3/4	25					SUC204-12		
SUCC205		25	80	22	34.1	14.3	SUC205	SC205	0.69
SUCC205-14	7/8	30					SUC205-14		
SUCC205-15	15/16	30					SUC205-15		
SUCC205-16	1	30					SUC205-16		
SUCC206		30	85	27	38.1	15.9	SUC206	SC206	0.88
SUCC206-17	1-1/16	35					SUC206-17		
SUCC206-18	1-1/8	35					SUC206-18		
SUCC206-19	1-3/16	35					SUC206-19		
SUCC206-20	1-1/4	35					SUC206-20		
SUCC207		35	90	28	42.9	17.5	SUC207	SC207	0.97
SUCC207-20	1-1/4	40					SUC207-20		
SUCC207-21	1-5/16	40					SUC207-21		
SUCC207-22	1-3/8	40					SUC207-22		
SUCC207-23	1-7/16	40					SUC207-23		
SUCC208		40	100	30	49.2	19.0	SUC208	SC208	1.28
SUCC208-24	1-1/2	45					SUC208-24		
SUCC208-25	1-9/16	45					SUC208-25		
SUCC209		45	110	31	49.2	19.0	SUC209	SC209	1.79
SUCC209-26	1-5/8	50					SUC209-26		
SUCC209-27	1-11/16	50					SUC209-27		
SUCC209-28	1-3/4	50					SUC209-28		
SUCC210		50	120	33	51.6	19.0	SUC210	SC210	1.98
SUCC210-29	1-13/16	55					SUC210-29		
SUCC210-30	1-7/8	55					SUC210-30		
SUCC210-31	1-15/16	55					SUC210-31		
SUCC210-32	2	55					SUC210-32		
SUCC211		55	125	35	55.6	22.2	SUC211	SC211	2.32
SUCC211-32	2	60					SUC211-32		
SUCC211-33	2-1/16	60					SUC211-33		
SUCC211-34	2-1/8	60					SUC211-34		
SUCC211-35	2-3/16	60					SUC211-35		
SUCC212		60	130	38	65.1	25.4	SUC212	SC212	2.99
SUCC212-36	2-1/4	65					SUC212-36		
SUCC212-37	2-5/16	65					SUC212-37		
SUCC212-38	2-3/8	65					SUC212-38		
SUCC212-39	2-7/16	65					SUC212-39		
SUCC213		65	140	40	65.1	25.4	SUC213	SC213	3.55
SUCC213-40	2-1/2	70					SUC213-40		
SUCC213-41	2-9/16	70					SUC213-41		

# 不锈钢带座外球面轴承

## STAINLESS STEEL BEARING UNITS

SUCC300

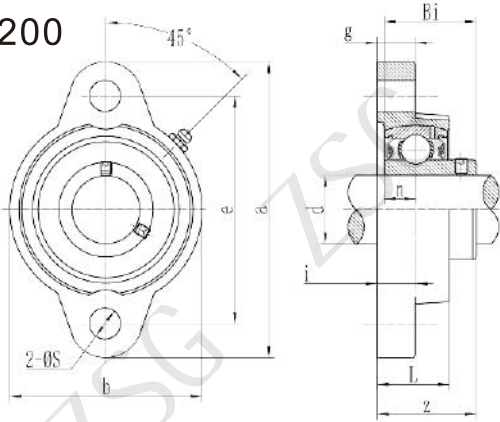


带座轴承型号 Bearing Unit No.	轴径 Bore Dia		外形尺寸 (毫米) Dimensions (mm)				轴承 Bearing No.	轴承座 Housing No.	重量 Weight (kg)
	d		a	L	B	S			
	in	mm							
SUCC305 SUCC305-14 SUCC305-15 SUCC305-16	7/8 15/16 1	25	90	26	38	15	SUC305 SUC305-14 SUC305-15 SUC305-16	SC305	1.08
SUCC306 SUCC306-18 SUCC306-19	1-1/8 1-3/16	30	100	28	43	17	SUC306 SUC306-18 SUC306-19	SC306	1.40
SUCC307 SUCC307-20 SUCC307-21 SUCC307-22	1-1/4 1-5/16 1-3/8	35	110	32	48	19.0	SUC307 SUC307-20 SUC307-21 SUC307-22	SC307	1.84
SUCC308 SUCC308-24 SUCC308-25	1-1/2 1-9/16	40	120	34	52	19.0	SUC308 SUC308-24 SUC308-25	SC308	2.24
SUCC309 SUCC309-26 SUCC309-27 SUCC309-28	1-5/8 1-11/16 1-3/4	45	130	38	57	22	SUC309 SUC309-26 SUC309-27 SUC309-28	SC309	2.68
SUCC310 SUCC310-30 SUCC310-31	1-7/8 1-15/16	50	140	40	61	22	SUC310 SUC310-30 SUC310-31	SC310	3.30
SUCC311 SUCC311-32 SUCC311-34 SUCC311-35	2 2-1/8 2-3/16	55	150	44	66	25	SUC311 SUC311-32 SUC311-34 SUC311-35	SC311	3.93
SUCC312 SUCC312-36 SUCC312-38 SUCC312-39	2-1/4 2-3/8 2-7/16	60	160	46	71	26	SUC312 SUC312-36 SUC312-38 SUC312-39	SC312	4.70
SUCC313 SUCC313-40	2-1/2	65	170	50	75	30	SUC313 SUC313-40	SC313	5.87
SUCC314 SUCC314-44	2-3/4	70	180	52	78	33	SUC314 SUC314-44	SC314	6.61
SUCC315 SUCC315-48	3	75	190	55	82	32	SUC315 SUC315-48	SC315	7.26
SUCC316 SUCC316-50	3-1/8	80	200	60	86	34	SUC316 SUC316-50	SC316	8.30
SUCC317 SUCC317-52	3-1/4	85	215	64	96	40	SUC317 SUC317-52	SC317	11.00
SUCC318 SUCC318-56	3-1/2	90	225	66	96	40	SUC318 SUC318-56	SC318	12.00
SUCC319 SUCC319-60	3-3/4	95	240	72	103	41	SUC319 SUC319-60	SC319	15.05
SUCC320 SUCC320-64	4	100	260	75	108	42	SUC320 SUC320-64	SC320	18.48
SUCC321	/	105	260	75	112	44	SUC321	SC321	20.10
SUCC322	/	110	300	80	117	46	SUC322	SC322	28.20
SUCC324	/	120	320	90	126	51	SUC324	SC324	35.20
SUCC326	/	130	340	100	135	54	SUC326	SC326	42.30
SUCC328	/	140	360	100	145	59	SUC328	SC328	49.4

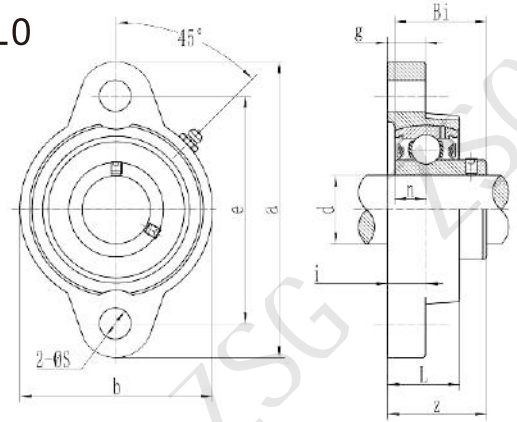
# 不锈钢带座外球面轴承

## STAINLESS STEEL BEARING UNITS

SSBLF200



SSBLFLO



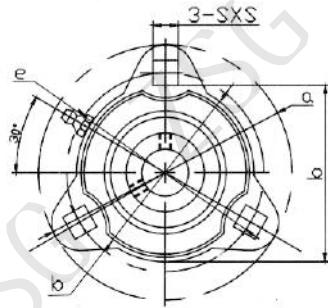
带座轴承型号 Bearing Unit No.	轴径 Bore Dia		外形尺寸 (毫米) Dimensions (mm)										轴承 Bearing No.	轴承座 Housing No.	重量 Weight (kg)
	d		a	e	i	g	L	s	b	n	z	Bi			
	in	mm													
SSBLF201 SSBLF201-8 SSBLF202 SSBLF202-9 SSBLF202-10 SSBLF203 SSBLF203-11	1/2	12 15	81	63.5	9.5	9.5	18	8	56	6	25.5	22	SSB201 SSB201-8 SSB202 SSB202-9 SSB202-10 SSB203 SSB203-11	SLF203	0.31
SSBLF204 SSBLF204-12	3/4	20	90	71.5	11	11	20	10	61	7	29	25	SSB204 SSB204-12	SLF204	0.4
SSBLF205 SSBLF205-14 SSBLF205-15 SSBLF205-16	7/8 15/16 1	25	95	76	11	11	20	10	64	7.5	30.5	27	SSB205 SSB205-14 SSB205-15 SSB205-16	SLF205	0.48
SSBLF206 SSBLF206-18 SSBLF206-19 SSBLF206-20	1-1/8 1-3/16 1-1/4	30	113	90.5	12	12	22.5	12	76	8	34	30	SSB206 SSB206-18 SSB206-19 SSB206-20	SLF206	0.60
SSBLF207 SSBLF207-20 SSBLF207-21 SSBLF207-22 SSBLF207-23	1-1/4 1-5/16 1-3/8 1-7/16	35	122	100	13	13	24	12	89	8.5	36.5	32	SSB207 SSB207-20 SSB207-21 SSB207-22 SSB207-23	SLF207	0.90

带座轴承型号 Bearing Unit No.	轴径 Bore Dia		外形尺寸 (毫米) Dimensions (mm)										轴承 Bearing No.	轴承座 Housing No.	重量 Weight (kg)
	d		a	e	i	g	l	s	b	n	z	Bi			
	in	mm													
SSBLFL1 SSBLFL1-8 SSBLFL2 SSBLFL2-9 SSBLFL2-10 SSBLFL3 SSBLFL3-11	1/2	12 15	81	63.5	9.5	9.5	18	8	56	6	25.5	22	SSB201 SSB201-8 SSB202 SSB202-9 SSB202-10 SSB203 SSB203-11	SLF203	0.31
SSBLFL4 SSBLFL4-12	3/4	20	90	71.5	11	11	20	10	63	7	29	25	SSB204 SSB204-12	SLF204	0.40
SSBLFL5 SSBLFL5-14 SSBLFL5-15 SSBLFL5-16	7/8 15/16 1	25	95	76	11	11	20	10	65	7.5	30	27	SSB205 SSB205-14 SSB205-15 SSB205-16	SLF205	0.48
SSBLFL6 SSBLFL6-18 SSBLFL6-19 SSBLFL6-20	1-1/8 1-3/16 1-1/4	30	113	90.5	12	12	22.5	12	79	8	34	30	SSB206 SSB206-18 SSB206-19 SSB206-20	SLF206	0.60
SSBLFL7 SSBLFL7-20 SSBLFL7-22 SSBLFL7-23	1-1/4 1-5/16 1-3/8 1-7/16	35	122	100	13	13	24	12	89	8.5	36.5	32	SSB207 SSB207-20 SSB207-22 SSB207-23	SLF207	0.90

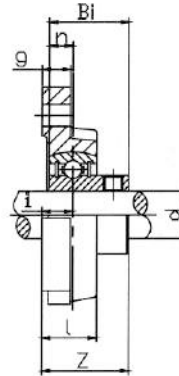
# 不锈钢带座外球面轴承

## STAINLESS STEEL BEARING UNITS

### SSBTM200



### SSBFCT200



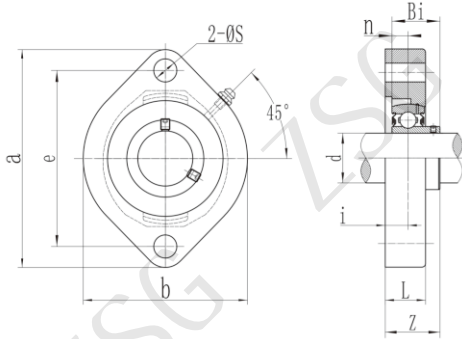
带座轴承型号 Bearing Unit No.	轴径 Bore Dia		外形尺寸 (毫米) Dimensions (mm)										轴承 Bearing No.	轴承座 Housing No.	重量 Weight (kg)			
	d		a	e	i	g	l	s	b	n	z	Bi						
	in	mm																
SSBTM201		12																
SSBTM201-8	1/2	15																
SSBTM202			81	63.5	10.5	10.7	19	7	52	6	26.5	22			SSB201			
SSBTM202-9	9/16														SSB201-8			
SSBTM202-10	5/8														SSB202			
SSBTM203		17													SSB202-9	STM203	0.31	
SSBTM203-11	11/16														SSB202-10			
SSBTM204		20	90.5	71.4	10.9	11	19.8	8.7	62	7	28.9	25			SSB203			
SSBTM204-12	3/4														SSB203-11			
SSBTM205		25													SSB204			
SSBTM205-14	7/8														SSB204-12	STM204	0.4	
SSBTM205-15	15/16														SSB205			
SSBTM205-16	1		95.2	76.7	11.1	11	19.8	8.7	72	7.5	30.5	27			SSB205-14	STM205	0.47	
SSBTM206		30													SSB205-15			
SSBTM206-18	1-1/8														SSB205-16			
SSBTM206-19	1-3/16		112.7	90.5	11.2	12	21.4	10.3	84	8	33.1	30			SSB206			
SSBTM206-20	1-1/4														SSB206-18	STM206	0.61	
SSBTM207		35													SSB206-19			
SSBTM207-20	1-1/4														SSB206-20			
SSBTM207-22	1-3/8		122	100	11.6	12.7	23	10.3	88	8.5	35.1	32			SSB207			
SSBTM207-23	1-7/16														SSB207-20	STM207	0.87	

带座轴承型号 Bearing Unit No.	轴径 Bore Dia		外形尺寸 (毫米) Dimensions (mm)										轴承 Bearing No.	轴承座 Housing No.	重量 Weight (kg)		
	d		a	e	i	g	l	s	b	n	z	Bi					
	in	mm															
SSBFCT201		12															
SSBFCT201-8	1/2	15															
SSBFCT202			81	63.5	9.8	10	17.5	7.1	49	6	25.8	22			SSB201		
SSBFCT202-9	9/16														SSB201-8		
SSBFCT202-10	5/8														SSB202		
SSBFCT203		17													SSB202-9	SFCT203	0.31
SSBFCT203-11	11/16														SSB202-10		
SSBFCT204		20	90.4	71.4	11	10	20	8.7	62	7	29	25			SSB203		
SSBFCT204-12	3/4														SSB203-11		
SSBFCT205		25													SSB204		
SSBFCT205-14	7/8														SSB204-12	SFCT204	0.4
SSBFCT205-15	15/16														SSB205		
SSBFCT205-16	1		95.2	76.2	10.3	12	20	8.7	72	7.5	29.8	27			SSB205-14	SFCT205	0.47
SSBFCT206		30													SSB205-15		
SSBFCT206-18	1-1/8														SSB205-16		
SSBFCT206-19	1-3/16		112.5	90.5	12	12	22	10.3	84	8	34	30			SSB206		
SSBFCT206-20	1-1/4														SSB206-18	SFCT206	0.61
SSBFCT207		35													SSB206-19		
SSBFCT207-20	1-1/4														SSB206-20		
SSBFCT207-22	1-3/8		122	100	13.5	13.5	24	10.3	90	8.5	37	32			SSB207		
SSBFCT207-23	1-7/16														SSB207-20	SFCT207	0.87

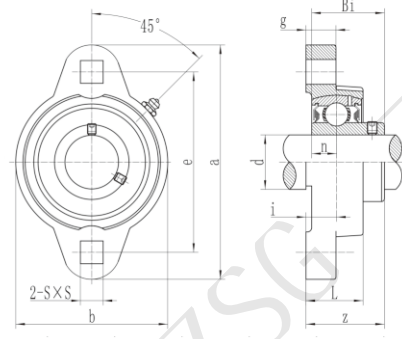
# 不锈钢带座外球面轴承

## STAINLESS STEEL BEARING UNITS

### SSBFD200



### SSBFX200



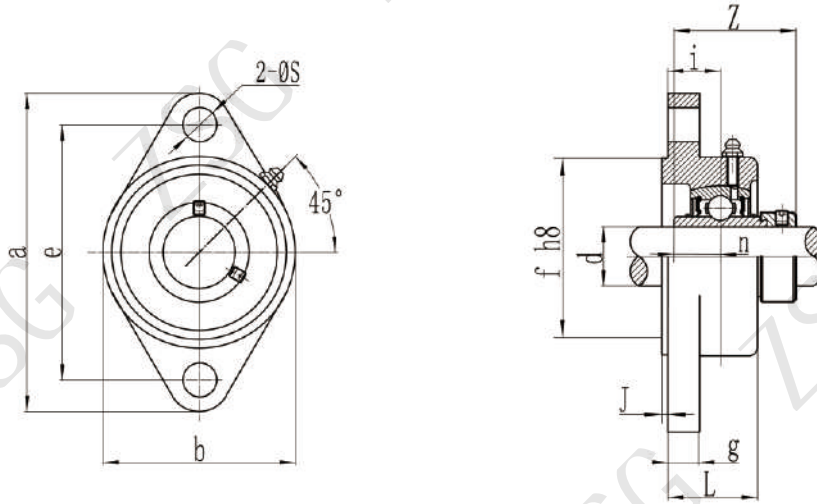
带座轴承型号 Bearing Unit No.	轴径 Bore Dia		外形尺寸 (毫米) Dimensions (mm)									轴承 Bearing No.	轴承座 Housing No.	重量 Weight (kg)											
	d		a	e	i	L	s	b	n	z	Bi														
	in	mm																							
SSBFD201 SSBFD201-8 SSBFD202 SSBFD202-9 SSBFD202-10 SSBFD203 SSBFD203-11	1/2	12	81	63.5	8.5	15	7	58.7	6	24.5	22	SSB201 SSB201-8 SSB202 SSB202-9 SSB202-10 SSB203 SSB203-11	SFD203	0.3											
SSBFD204 SSBFD204-12	3/4	20										90.5			71.4	9.5	17	9	66.5	7	27.5	25	SSB204 SSB204-12	SFD204	0.39
SSBFD205 SSBFD205-13 SSBFD205-14 SSBFD205-15 SSBFD205-16	13/16 7/8 15/16 1	25										97			76.2	9.5	17.5	9	71	7.5	29	27	SSB205 SSB205-13 SSB205-14 SSB205-15 SSB205-16	SFD205	0.51
SSBFD206 SSBFD206-17 SSBFD206-18 SSBFD206-19 SSBFD206-20	1-1/16 1-1/8 1-3/16 1-1/4	30	112.5	90.5	11.5	20.5	11.5	84	8	33.5	30	SSB206 SSB206-17 SSB206-18 SSB206-19 SSB206-20	SFD206	0.80											
SSBFD207 SSBFD207-20 SSBFD207-21 SSBFD207-22 SSBFD207-23	1-1/4 1-5/16 1-3/8 1-7/16	35	126	100	12.5	22	11.5	94	8.5	36	32	SSB207 SSB207-20 SSB207-21 SSB207-22 SSB207-23	SFD207	1.07											
SSBFD208 SSBFD208-24 SSBFD208-25	1-1/2 1-9/16	40	148	119	14.5	25	13.5	104	9	39.5	34	SSB208 SSB208-24 SSB208-25	SFD208	1.53											

带座轴承型号 Bearing Unit No.	轴径 Bore Dia		外形尺寸 (毫米) Dimensions (mm)									轴承 Bearing No.	轴承座 Housing No.	重量 Weight (kg)													
	d		a	e	i	L	S	g	b	n	z				Bi												
	in	mm																									
SSBFX201 SSBFX201-8 SSBFX202 SSBFX202-9 SSBFX202-10 SSBFX203 SSBFX203-11	1/2	12	81	63.5	9.5	18	8	9.5	56	6	25.5	22	SSB201 SSB201-8 SSB202 SSB202-9 SSB202-10 SSB203 SSB203-11	SFX203	0.31												
SSBFX204 SSBFX204-12	3/4	20											90			71.5	11	20	10	11	61	7	29	25	SSB204 SSB204-12	SFX204	0.4
SSBFX205 SSBFX205-13 SSBFX205-14 SSBFX205-15 SSBFX205-16	13/16 7/8 15/16 1	25											95			76	11	20	10	11	64	7.5	30.5	27	SSB205 SSB205-13 SSB205-14 SSB205-15 SSB205-16	SFX205	0.48
SSBFX206 SSBFX206-17 SSBFX206-18 SSBFX206-19 SSBFX206-20	1-1/16 1-1/8 1-3/16 1-1/4	30	113	90.5	12	22.5	12	12	76	8	34	30	SSB206 SSB206-17 SSB206-18 SSB206-19 SSB206-20	SFX206	0.60												
SSBFX207 SSBFX207-20 SSBFX207-21 SSBFX207-22 SSBFX207-23	1-1/4 1-5/16 1-3/8 1-7/16	35	122	100	13	24	12	13	89	8.5	36.5	32	SSB207 SSB207-20 SSB207-21 SSB207-22 SSB207-23	SFX207	0.90												

# 不锈钢带座外球面轴承

## STAINLESS STEEL BEARING UNITS

SHCCJTZ200

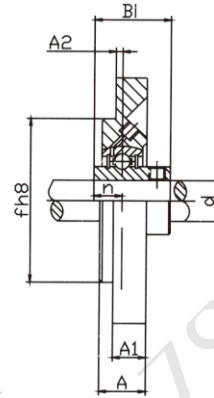
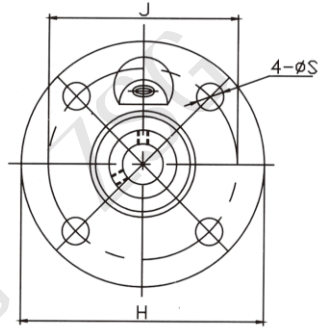


带座轴承型号 Bearing Unit No.	轴径 Bore Dia	外形尺寸 (毫米) Dimensions (mm)											轴承 Bearing No.	轴承座 Housing No.	重量 Weight (kg)
	d mm	a	e	i	b	J	g	L	S	f	n	Z			
SHCCJTZ204	20	112.5	90	19	60.5	3.5	10	31.7	11.5	55	12.7	39.3	SHC204	SCJTZ204	0.48
SHCCJTZ205	25	124	99	19	70	3.5	12	26.5	11.5	60	14.3	41.2	SHC205	SCJTZ205	0.65
SHCCJTZ206	30	142	116.5	17	83	3	12	26	11.5	80	15.9	46	SHC206	SCJTZ206	0.96
SHCCJTZ207	35	155	130	17	94	4	12.5	26.5	14	90	17.5	49.8	SHC207	SCJTZ207	1.17
SHCCJTZ208	40	172	143.5	20	105	4	13	30.5	14	100	19	53.9	SHC208	SCJTZ208	1.6
SHCCJTZ209	45	180	148.5	20	111	4	13	31	14	105	19.1	54	SHC209	SCJTZ209	1.93
SHCCJTZ210	50	190	157	24	116	4	13	35	14	105	19	57.1	SHC210	SCJTZ210	2.26
SHCCJTZ212	60	238	202	30	138	4	16	42	18	130	25.4	72.2	SHC212	SCJTZ212	3.10

# 不锈钢带座外球面轴承

## STAINLESS STEEL BEARING UNITS

### SUCME200

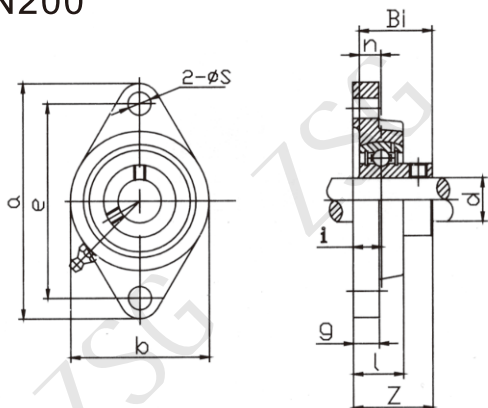


带座轴承型号 Bearing Unit No.	轴径 Bore Dia	外形尺寸 (毫米) Dimensions (mm)									轴承 Bearing No.	轴承座 Housing No.	重量 Weight (kg)
	d mm	H	J	A2	A1	A	S	F	Bi	n			
SUCME204	20	100	78	2	8	17	9	62	31	12.7	SUC204	SME204	0.49
SUCME205	25	115	90	2.5	9	19	9	70	34.1	14.3	SUC205	SME205	0.69
SUCME206	30	125	100	2	9.5	20.5	11.5	80	38.1	15.9	SUC206	SME206	0.85
SUCME207	35	135	110	1	10	20.5	11.5	90	42.9	17.5	SUC207	SME207	1.26
SUCME208	40	145	120	1	11.5	23	11.5	100	49.2	19	SUC208	SME208	1.61
SUCME209	45	155	130	2	12	25	14	105	49.2	19	SUC209	SME209	2
SUCME210	50	165	135	1	13	25	14	110	51.6	19	SUC210	SME210	2.3
SUCME211	55	185	150	0	15	27.5	18	125	55.6	22.2	SUC211	SME211	3.12
SUCME212	60	195	160	1	16	29	18	135	65.1	25.4	SUC212	SME212	3.67
SUCME214	70	215	177	0	18	32	18	150	74.6	30.2	SUC214	SME214	5.07
SUCME215	75	220	184	0	18	32	18	160	77.8	33.3	SUC215	SME215	5.13
SUCME216	80	220	184	-2	18	31	18	160	82.6	33.3	SUC216	SME216	5.7
SUCME218	90	265	220	-4	20	32	23	190	96	39.7	SUC218	SME218	9.63

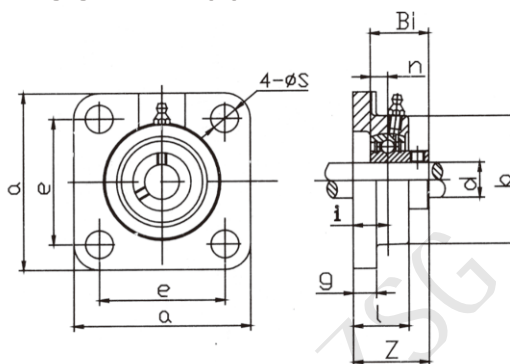
# 不锈钢带座外球面轴承

## STAINLESS STEEL BEARING UNITS

### SSBFTN200



### SSBFN200



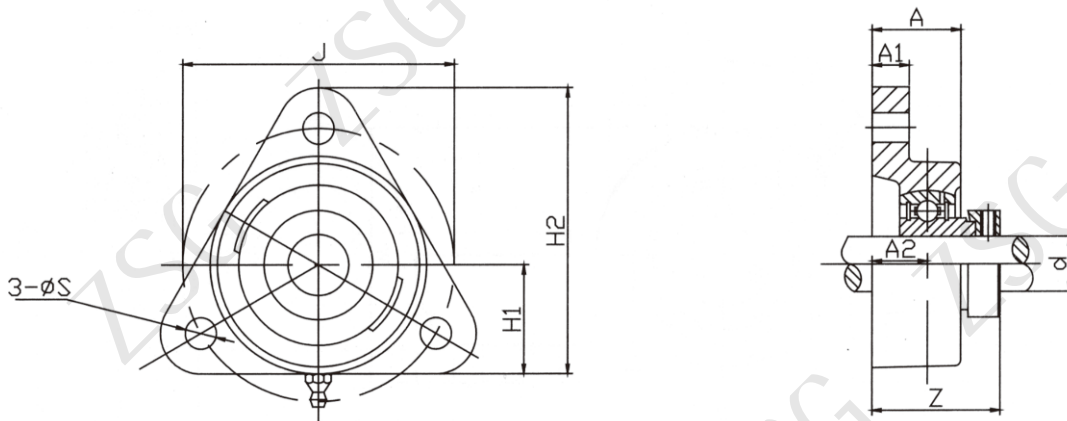
带座轴承型号 Bearing Unit No.	轴径 Bore Dia		外形尺寸 (毫米) Dimensions (mm)										轴承 Bearing No.	轴承座 Housing No.	重量 Weight (kg)
	d		a	e	i	g	l	s	b	n	z	Bi			
	in	mm													
SSBFTN201 SSBFTN201-8 SSBFTN202 SSBFTN202-9 SSBFTN202-10 SSBFTN203 SSBFTN203-11	1/2 9/16 5/8 11/16	12 15 17	98	76.2	11.4	10	18	11	54	6	27.4	22	SSB201 SSB201-8 SSB202 SSB202-9 SSB202-10 SSB203 SSB203-11	SFTN203	0.3
SSBFTN204 SSBFTN204-12	3/4	20	112	89.7	12.6	11	21	11	64	7	30.6	25	SSB204 SSB204-12	SFTN204	0.38
SSBFTN205 SSBFTN205-14 SSBFTN205-15 SSBFTN205-16	7/8 15/16 1	25	124	99	12.3	11	21	13	70	7.5	31.8	27	SSB205 SSB205-14 SSB205-15 SSB205-16	SFTN205	0.52
SSBFTN206 SSBFTN206-18 SSBFTN206-19 SSBFTN206-20	1-1/8 1-3/16 1-1/4	30	141	116.7	12.1	14	24	13	79	8	34.1	30	SSB206 SSB206-18 SSB206-19 SSB206-20	SFTN206	0.75
SSBFTN207 SSBFTN207-20 SSBFTN207-22 SSBFTN207-23	1-1/4 1-3/8 1-7/16	35	155	130	14.6	15	27	14	92	8.5	38.1	32	SSB207 SSB207-20 SSB207-22 SSB207-23	SFTN207	1.17
SSBFTN208 SSBFTN208-24 SSBFTN208-25	1-1/2 1-9/16	40	172	143.7	15.5	16	29	14	105	9	40.5	34	SSB208 SSB208-24 SSB208-25	SFTN208	1.55
SSBFTN209 SSBFTN209-26 SSBFTN209-27 SSBFTN209-28	1-5/8 1-11/16 1-3/4	45	179	148	13.8	16	29	16	111	10.2	44.8	41.2	SSB209 SSB209-26 SSB209-27 SSB209-28	SFTN209	2.03

带座轴承型号 Bearing Unit No.	轴径 Bore Dia		外形尺寸 (毫米) Dimensions (mm)										轴承 Bearing No.	轴承座 Housing No.	重量 Weight (kg)
	d		a	e	i	g	l	s	b	n	z	Bi			
	in	mm													
SSBFN201 SSBFN201-8 SSBFN202 SSBFN202-9 SSBFN202-10 SSBFN203 SSBFN203-11	1/2 9/16 5/8 11/16	12 15 17	76.2	54	11.4	10	18	11	54	6	27.4	22	SSB201 SSB201-8 SSB202 SSB202-9 SSB202-10 SSB203 SSB203-11	SFN203	0.5
SSBFN204 SSBFN204-12	3/4	20	86	63.5	12.6	11	21	11	64	7	30.6	25	SSB204 SSB204-12	SFN204	0.65
SSBFN205 SSBFN205-14 SSBFN205-15 SSBFN205-16	7/8 15/16 1	25	95	70	12.3	11	21	13	70	7.5	31.8	27	SSB205 SSB205-14 SSB205-15 SSB205-16	SFN205	0.75
SSBFN206 SSBFN206-18 SSBFN206-19 SSBFN206-20	1-1/8 1-3/16 1-1/4	30	108	82.5	12.1	14	24	13	79	8	34.1	30	SSB206 SSB206-18 SSB206-19 SSB206-20	SFN206	1.18
SSBFN207 SSBFN207-20 SSBFN207-22 SSBFN207-23	1-1/4 1-3/8 1-7/16	35	117	92	14.6	15	27	14	92	8.5	38.1	32	SSB207 SSB207-20 SSB207-22 SSB207-23	SFN207	1.46
SSBFN208 SSBFN208-24 SSBFN208-25	1-1/2 1-9/16	40	130	101.6	15.5	16	29	14	105	9	40.5	34	SSB208 SSB208-24 SSB208-25	SFN208	2.16
SSBFN209 SSBFN209-26 SSBFN209-27 SSBFN209-28	1-5/8 1-11/16 1-3/4	45	136.5	105	13.8	16	29	16	111	10.2	44.8	41.2	SSB209 SSB209-26 SSB209-27 SSB209-28	SFN209	2.5

# 不锈钢带座外球面轴承

## STAINLESS STEEL BEARING UNITS

### SSACFTR200

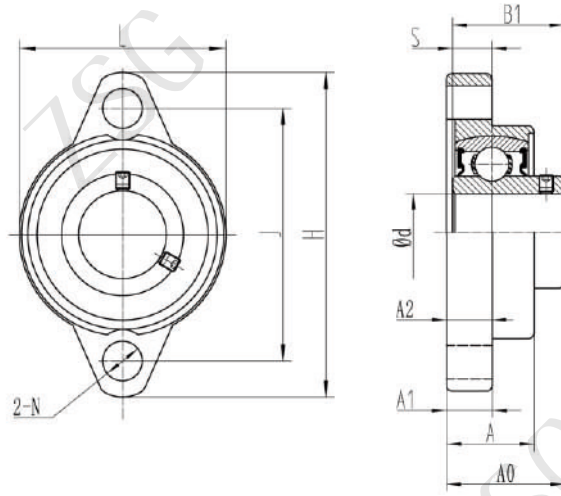


带座轴承型号 Bearing Unit No.	轴径 Bore Dia	外形尺寸 (毫米) Dimensions (mm)								轴承 Bearing No.	轴承座 Housing No.	重量 Weight (kg)
	d	H2	H1	A	A1	A2	S	J	Z			
	mm											
SSACFTR201 SSACFTR202 SSACFTR203	12 15 17	81	31	20	11	10	11.5	76.1	32.6	SSA201 SSA202 SSA203	SCFTR203	0.35
SSACFTR204	20	92	35	20	11	10.5	11.5	89.5	34.5	SSA204	SCFTR204	0.52
SSACFTR205	25	97	36	22	12	12.5	11.5	96	36	SSA205	SCFTR205	0.69
SSACFTR206	30	117	44	24	12	13.3	11.5	116	41	SSA206	SCFTR206	0.93
SSACFTR207	35	128	48	27	14	15.6	14	129.7	46	SSA207	SCFTR207	1.23
SSACFTR208	40	137	51	30	16	18.3	14	140	53	SSA208	SCFTR208	1.84
SSACFTR209	45	150	55	33	16	19.2	14	160	53.4	SSA209	SCFTR209	1.97
SSACFTR210	50	150	55	33	16	19.2	14	160	52.9	SSA210	SCFTR210	2.18

# 不锈钢带座外球面轴承

## STAINLESS STEEL BEARING UNITS

SKFL000

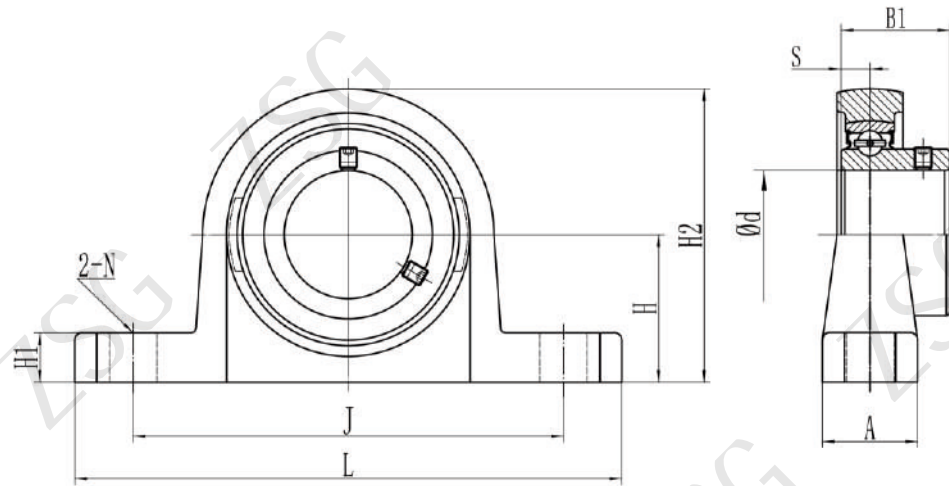


带座轴承型号 Bearing Unit No.	轴径 Bore Dia	外形尺寸 (毫米) Dimensions (mm)										轴承 Bearing No.	轴承座 Housing No.	螺栓 Bolt Used
	d mm	H	J	A1	A2	A	N	L	A0	B1	S			
SKFL000	10	60	45	5.5	5.5	11.5	7	36	15.5	14	4	SK000	SFL000	M6
SKFL001	12	63	48	5.5	5.5	11.5	7	38	16	14.5	4	SK001	SFL001	M6
SKFL002	15	67	53	6.5	6.5	13	7	42	18.5	16.5	4.5	SK002	SFL002	M6
SKFL003	17	71	56	7	7	14	7	46	19.5	17.5	5	SK003	SFL003	M6
SKFL004	20	90	71	8	8	16	10	55	23	21	6	SK004	SFL004	M8
SKFL005	25	95	75	8	8	16	10	60	24.5	22.5	6	SK005	SFL005	M8
SKFL006	30	112	85	9	9	18	13	70	27	24.5	6.5	SK006	SFL006	M10
SKFL007	35	122	95	10	10	20	13	80	32.5	29.5	7	SK007	SFL007	M10

# 不锈钢带座外球面轴承

## STAINLESS STEEL BEARING UNITS

SKP000

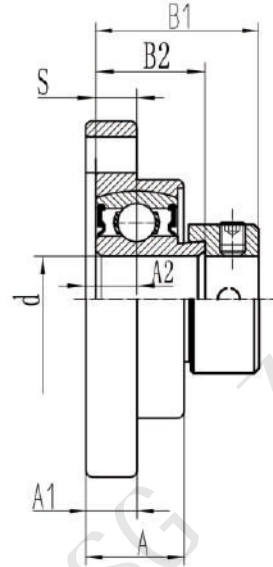
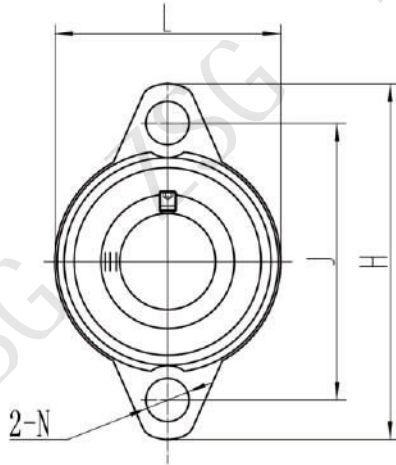


带座轴承型号 Bearing Unit No.	轴径 Bore Dia	外形尺寸 (毫米) Dimensions (mm)									轴承 Bearing No.	轴承座 Housing No.	螺栓 Bolt Used
	d mm	H	L	J	A	N	H1	H2	B1	S			
SKP000	10	18	67	53	16	7	6	35	14	4	SK000	SP000	M6
SKP001	12	19	71	56	16	7	6	38	14.5	4	SK001	SP001	M6
SKP002	15	22	80	63	16	7	7	43	16.5	4.5	SK002	SP002	M6
SKP003	17	24	85	67	18	7	7	47	17.5	5	SK003	SP003	M6
SKP004	20	28	100	80	20	10	9	55	21	6	SK004	SP004	M8
SKP005	25	32	112	90	20	10	10	62	22.5	6	SK005	SP005	M8
SKP006	30	36	132	106	26	13	11	70	24.5	6.5	SK006	SP006	M10
SKP007	35	40	150	118	26	13	13	80	29.5	7	SK007	SP007	M10

# 不锈钢带座外球面轴承

## STAINLESS STEEL BEARING UNITS

SUFL000

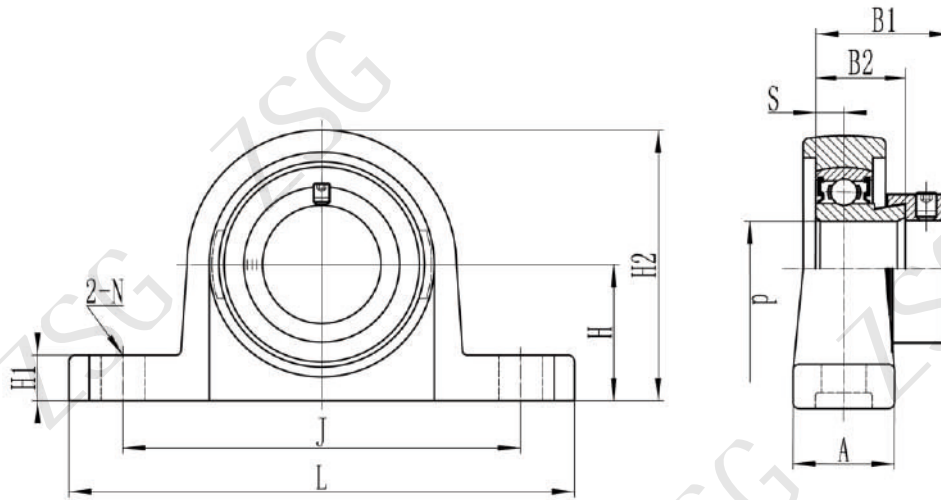


带座轴承型号 Bearing Unit No.	轴径 Bore Dia	外形尺寸 (毫米) Dimensions (mm)										轴承 Bearing No.	轴承座 Housing No.	螺栓 Bolt Used
	d mm	H	J	A1	A2	A	N	L	B1	B2	S			
SUFL000	10	60	45	5.5	5.5	11.5	7	36	17.5	11	4	SU000	SFL000	M6
SUFL001	12	63	48	5.5	5.5	11.5	7	38	17.5	11	4	SU001	SFL001	M6
SUFL002	15	67	53	6.5	6.5	13	7	42	18.5	12	4.5	SU002	SFL002	M6
SUFL003	17	71	56	7	7	14	7	46	20.5	13.5	5	SU003	SFL003	M6
SUFL004	20	90	71	8	8	16	10	55	24.5	16.5	6	SU004	SFL004	M8
SUFL005	25	95	75	8	8	16	10	60	25.5	17.5	6	SU005	SFL005	M8
SUFL006	30	112	85	9	9	18	13	70	26.5	18.5	6.5	SU006	SFL006	M10
SUFL007	35	122	95	10	10	20	13	80	29.5	20	7	SU007	SFL007	M10

# 不锈钢带座外球面轴承

## STAINLESS STEEL BEARING UNITS

SUP000

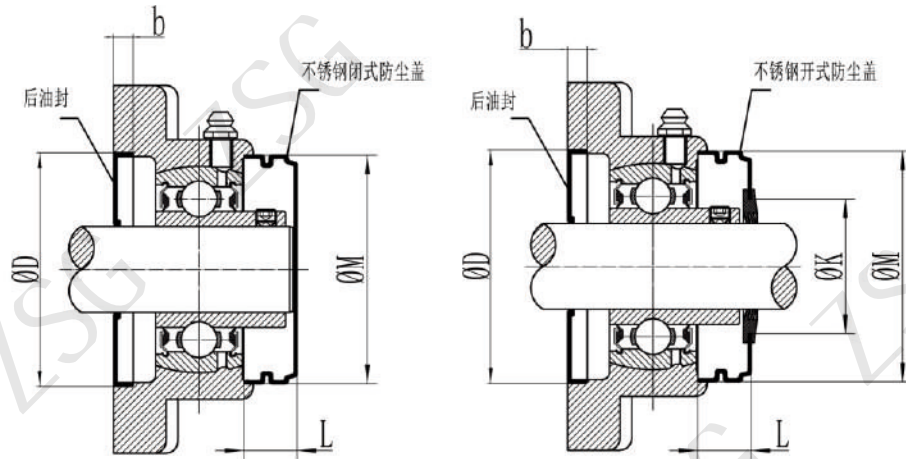


带座轴承型号 Bearing Unit No.	轴径 Bore Dia	外形尺寸 (毫米) Dimensions (mm)										轴承 Bearing No.	轴承座 Housing No.	螺栓 Bolt Used
	d mm	H	L	J	A	N	H1	H2	B1	B2	S			
SUP000	10	18	67	53	16	7	6	35	17.5	11	4	SU000	SP000	M6
SUP001	12	19	71	56	16	7	6	38	17.5	11	4	SU001	SP001	M6
SUP002	15	22	80	63	16	7	7	43	18.5	12	4.5	SU002	SP002	M6
SUP003	17	24	85	67	18	7	7	47	20.5	13.5	5	SU003	SP003	M6
SUP004	20	28	100	80	20	10	9	55	24.5	16.5	6	SU004	SP004	M8
SUP005	25	32	112	90	20	10	10	62	25.5	17.5	6	SU005	SP005	M8
SUP006	30	36	132	106	26	13	11	70	26.5	18.5	6.5	SU006	SP006	M10
SUP007	35	40	150	118	26	13	13	80	29.5	20	7	SU007	SP007	M10

# 不锈钢带座外球面轴承

## STAINLESS STEEL BEARING UNITS

### SCC200/SCO200

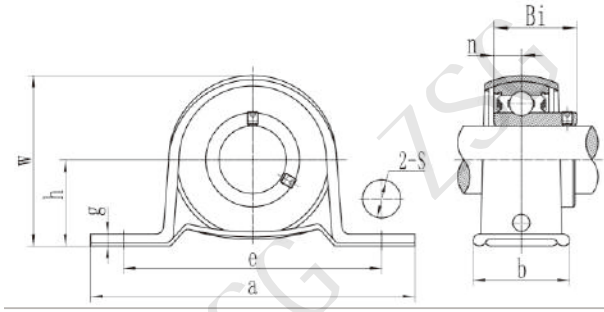


带座轴承型号 Bearing Unit No.	轴径 Bore Dia	外形尺寸 (毫米) Dimensions (mm)				
	d mm	D	b	M	K	L
SCC204/SC0204	20	52	6	54.25	29	14.3
SCC205/SC0205	25	62	6	60.25	35	15.4
SCC206/SC0206	30	72	6	70.35	38.5	16.9
SCC207/SC0207	35	82	6	80.35	46	18.7
SCC208/SC0208	40	88	6	88.22	49.5	22.9
SCC209/SC0209	45	93	6	95.22	54.5	22.9
SCC210/SC0210	50	98	6	100.1	62.5	25.8
SCC211/SC0211	55	108	6	110.1	69	25.1
SCC212/SC0212	60	118	6	120.1	74	30.4

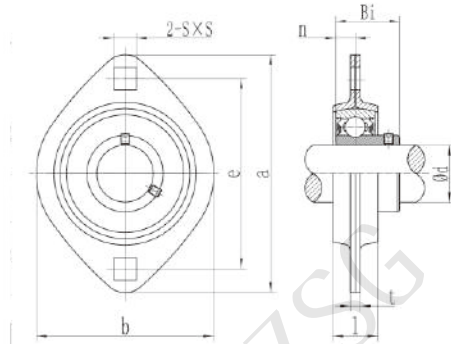
# 不锈钢冲压带座轴承

## STAINLESS STEEL PRESSING BEARING UNITS

### SSBPP200



### SSBPFL200



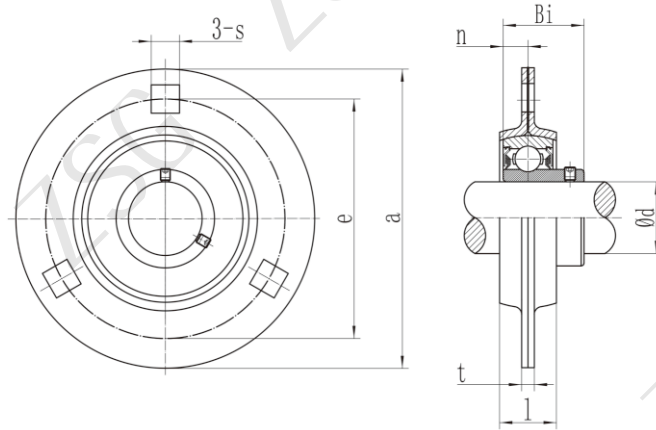
带座轴承型号 Bearing Unit No.	轴径 Bore Dia		外形尺寸 (毫米) Dimensions (mm)									轴承 Bearing No.	轴承座 Housing No.	重量 Weight (kg)
	d		h	a	e	b	s	g	w	n	Bi			
	in	mm												
SSBPP201 SSBPP201-8 SSBPP202 SSBPP202-9 SSBPP202-10 SSBPP203 SSBPP203-11	1/2	12 15 17	22.2	86	68	25	9.5	3	43.8	6	22	SSB201 SSB201-8 SSB202 SSB202-9 SSB202-10 SSB203 SSB203-11	SPP203	0.16
SSBPP204 SSBPP204-12	3/4	20	25.4	98	76	32	9.5	3	50.5	7	25	SSB204 SSB204-12	SPP204	0.21
SSBPP205 SSBPP205-13 SSBPP205-14 SSBPP205-15 SSBPP205-16	13/16 7/8 15/16 1	25	28.6	108	86	32	11.5	4	56.6	7.5	27	SSB205 SSB205-13 SSB205-14 SSB205-15 SSB205-16	SPP205	0.29
SSBPP206 SSBPP206-17 SSBPP206-18 SSBPP206-19 SSBPP206-20	1-1/16 1-1/8 1-3/16 1-1/4	30	33.3	117	95	38	11.5	4	66.3	8	30	SSB206 SSB206-17 SSB206-18 SSB206-19 SSB206-20	SPP206	0.45
SSBPP207 SSBPP207-20 SSBPP207-21 SSBPP207-22 SSBPP207-23	1-1/4 1-5/16 1-3/8 1-7/16	35	39.7	129	106	42	11.5	5	78	8.5	32	SSB207 SSB207-20 SSB207-21 SSB207-22 SSB207-23	SPP207	0.61
SSBPP208 SSBPP208-24 SSBPP208-25	1-1/2 1-9/16	40	43.7	148	120	43	13	5	85	9	34	SSB208 SSB208-24 SSB208-25	SPP208	0.75

带座轴承型号 Bearing Unit No.	轴径 Bore Dia		外形尺寸 (毫米) Dimensions (mm)							轴承 Bearing No.	轴承座 Housing No.	重量 Weight (kg)	
	d		a	e	l	b	t	s	n				Bi
	in	mm											
SSBPFL201 SSBPFL201-8 SSBPFL202 SSBPFL202-9 SSBPFL202-10 SSBPFL203 SSBPFL203-11	1/2	12 15 17	81	63.5	14	59	4	7	6	22	SSB201 SSB201-8 SSB202 SSB202-9 SSB202-10 SSB203 SSB203-11	SPFL203	0.19
SSBPFL204 SSBPFL204-12	3/4	20	90	71.5	16	67	4	9	7	25	SSB204 SSB204-12	SPFL204	0.24
SSBPFL205 SSBPFL205-14 SSBPFL205-15 SSBPFL205-16	7/8 15/16 1	25	95	76	18	71	4	9	7.5	27	SSB205 SSB205-14 SSB205-15 SSB205-16	SPFL205	0.28
SSBPFL206 SSBPFL206-18 SSBPFL206-19 SSBPFL206-20	1-1/8 1-3/16 1-1/4	30	113	90.5	19	84	5	11	8	30	SSB206 SSB206-18 SSB206-19 SSB206-20	SPFL206	0.38
SSBPFL207 SSBPFL207-20 SSBPFL207-21 SSBPFL207-22 SSBPFL207-23	1-1/4 1-5/16 1-3/8 1-7/16	35	125	100	22	94	5	11	8.5	32	SSB207 SSB207-20 SSB207-21 SSB207-22 SSB207-23	SPFL207	0.65
SSBPFL208 SSBPFL208-24 SSBPFL208-25	1-1/2 1-9/16	40	148	119	23	110	7	14	9	34	SSB208 SSB208-24 SSB208-25	SPFL208	0.81

# 不锈钢冲压带座轴承

## STAINLESS STEEL PRESSING BEARING UNITS

SSBPF200

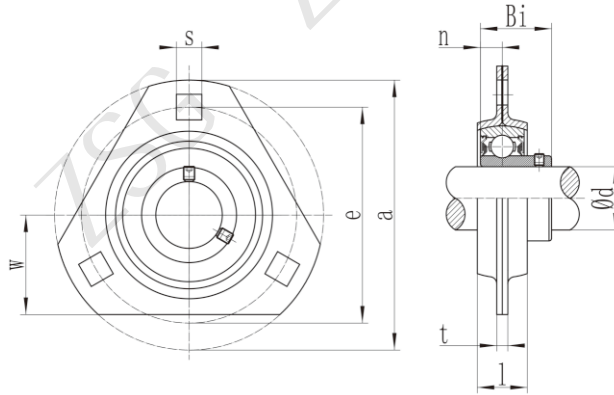


带座轴承型号 Bearing Unit No.	轴径 Bore Dia		外形尺寸 (毫米) Dimensions (mm)							轴承 Bearing No.	轴承座 Housing No.	重量 Weight (kg)
	d		a	e	l	t	s	n	Bi			
	in	mm										
SSBPF201		12								SSB201		
SSBPF201-8	1/2	15								SSB201-8		
SSBPF202			81	63	14	4	7	6	22	SSB202	SPF203	0.2
SSBPF202-9	9/16									SSB202-9		
SSBPF202-10	5/8	17								SSB202-10		
SSBPF203										SSB203		
SSBPF203-11	11/16									SSB203-11		
SSBPF204		20								SSB204		
SSBPF204-12	3/4		90	71	17	4	9	7	25	SSB204-12	SPF204	0.25
SSBPF205		25								SSB205		
SSBPF205-14	7/8									SSB205-14		
SSBPF205-15	15/16		95	76	18	4	9	7.5	27	SSB205-15	SPF205	0.35
SSBPF205-16	1									SSB205-16		
SSBPF206		30								SSB206		
SSBPF206-18	1-1/8									SSB206-18		
SSBPF206-19	1-3/16		113	90	19	5	11	8	30	SSB206-19	SPF206	0.54
SSBPF206-20	1-1/4									SSB206-20		
SSBPF207		35								SSB207		
SSBPF207-20	1-1/4									SSB207-20		
SSBPF207-21			122	100	21	5	11	8.5	32	SSB207-21	SPF207	0.71
SSBPF207-22	1-3/8									SSB207-22		
SSBPF207-23	1-7/16									SSB207-23		
SSBPF208		40								SSB208		
SSBPF208-24	1-1/2		148	119	21	7	14	9	34	SSB208-24	SPF208	1.15
SSBPF208-25	1-9/16									SSB208-25		
SSBPF209		45								SSB209		
SSBPF209-26	1-5/8									SSB209-26		
SSBPF209-27	1-11/16		149	120	24	7	13.5	9.5	36	SSB209-27	SPF209	1.49
SSBPF209-28	1-3/4									SSB209-28		
SSBPF210		50								SSB210		
SSBPF210-29	1-13/16									SSB210-29		
SSBPF210-30	1-7/8		157	127	24	8	13.5	10	38	SSB210-30	SPF210	1.74
SSBPF210-31	1-15/16									SSB210-31		
SSBPF210-32	2									SSB210-32		
SSBPF211		55								SSB211		
SSBPF211-32	2									SSB211-32		
SSBPF211-33	2-1/16		166	138.5	21	8	13.5	10.5	45.3	SSB211-33	SPF211	1.98
SSBPF211-34	2-1/8									SSB211-34		
SSBPF211-35	2-3/16									SSB211-35		
SSBPF212		60								SSB212		
SSBPF212-36	2-1/4									SSB212-36		
SSBPF212-37	2-5/16		177	148	28.5	8	13.5	11	49.8	SSB212-37	SPF212	2.35
SSBPF212-38	2-3/8									SSB212-38		
SSBPF212-39	2-7/16									SSB212-39		

# 不锈钢冲压带座轴承

## STAINLESS STEEL PRESSING BEARING UNITS

### SSBPFT200



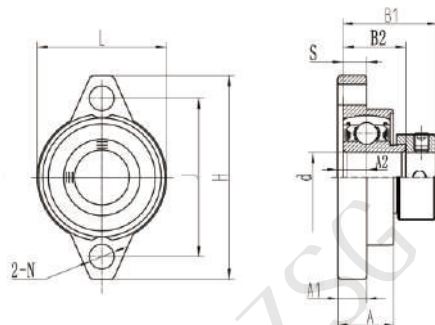
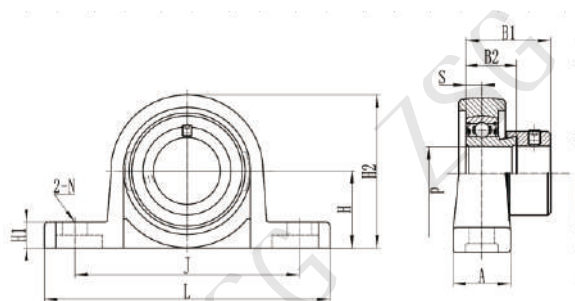
带座轴承型号 Bearing Unit No.	轴径 Bore Dia		外形尺寸 (毫米) Dimensions (mm)							轴承 Bearing No.	轴承座 Housing No.	重量 Weight (kg)	
	d		a	e	l	t	W	s	n				Bi
	in	mm											
SSBPFT201		12									SSB201		
SSBPFT201-8	1/2	15									SSB201-8		
SSBPFT202			81	63	14	4	29	7	6	22	SSB202	SPFT203	0.2
SSBPFT202-9	9/16										SSB202-9		
SSBPFT202-10	5/8	17									SSB202-10		
SSBPFT203											SSB203		
SSBPFT203-11	11/16										SSB203-11		
SSBPFT204		20	90	71	17	4	33	9	7	25	SSB204	SPFT204	0.25
SSBPFT204-12	3/4										SSB204-12		
SSBPFT205		25									SSB205		
SSBPFT205-14	7/8		95	76	18	4	35	9	7.5	27	SSB205-14	SPFT205	0.35
SSBPFT205-15	15/16										SSB205-15		
SSBPFT205-16	1										SSB205-16		
SSBPFT206		30									SSB206		
SSBPFT206-18	1-1/8		113	90	19	5	38	11	8	30	SSB206-18	SPFT206	0.54
SSBPFT206-19	1-3/16										SSB206-19		
SSBPFT206-20	1-1/4										SSB206-20		
SSBPFT207		35									SSB207		
SSBPFT207-20	1-1/4		122	100	21	5	44	11	8.5	32	SSB207-20	SPFT207	0.71
SSBPFT207-21	1-3/8										SSB207-21		
SSBPFT207-22	1-7/16										SSB207-22		
SSBPFT207-23											SSB207-23		
SSBPFT208		40									SSB208		
SSBPFT208-24	1-1/2		148	119	21	7	50	14	9	34	SSB208-24	SPFT208	0.95
SSBPFT208-25	1-9/16										SSB208-25		

# 锌合金带座轴承

## ZINC ALLOY BEARING UNITS

UP000

UFL000



带座轴承 型号 Bearing Unit No.	轴径 Bore Dia	外形尺寸 (毫米) Dimensions (mm)										轴承 Bearing No.	轴承座 Housing No.	螺栓 Bolt Used
	d mm	H	L	J	A	N	H1	H2	B1	B2	S			
UP000	10	18	67	53	16	7	6	35	17.5	11	4	U000	P000	M6
UP001	12	19	71	56	16	7	6	38	17.5	11	4	U001	P001	M6
UP002	15	22	80	63	16	7	7	43	18.5	12	4.5	U002	P002	M6
UP003	17	24	85	67	18	7	7	47	20.5	13.5	5	U003	P003	M6
UP004	20	28	100	80	20	10	9	55	24.5	16.5	6	U004	P004	M8
UP005	25	32	112	90	20	10	10	62	25.5	17.5	6	U005	P005	M8
UP006	30	36	132	106	26	13	11	70	26.5	18.5	6.5	U006	P006	M10
UP007	35	40	150	118	26	13	13	80	29.5	20	7	U007	P007	M10

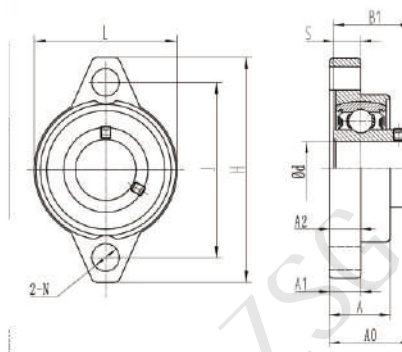
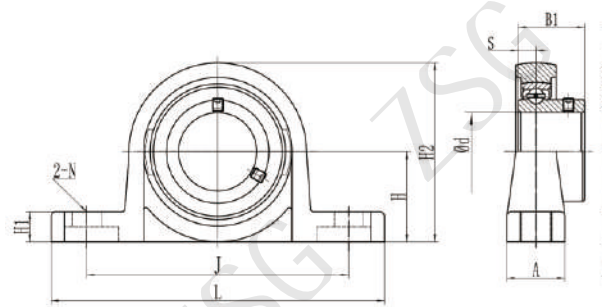
带座轴承 型号 Bearing Unit No.	轴径 Bore Dia	外形尺寸 (毫米) Dimensions (mm)										轴承 Bearing No.	轴承座 Housing No.	螺栓 Bolt Used
	d mm	H	J	A1	A2	A	N	L	B1	B2	S			
UFL000	10	60	45	5.5	5.5	11.5	7	36	17.5	11	4	U000	FL000	M6
UFL001	12	63	48	5.5	5.5	11.5	7	38	17.5	11	4	U001	FL001	M6
UFL002	15	67	53	6.5	6.5	13	7	42	18.5	12	4.5	U002	FL002	M6
UFL003	17	71	56	7	7	14	7	46	20.5	13.5	5	U003	FL003	M6
UFL004	20	90	71	8	8	16	10	55	24.5	16.5	6	U004	FL004	M8
UFL005	25	95	75	8	8	16	10	60	25.5	17.5	6	U005	FL005	M8
UFL006	30	112	85	9	9	18	13	70	26.5	18.5	6.5	U006	FL006	M10
UFL007	35	122	95	10	10	20	13	80	29.5	20	7	U007	FL007	M10

# 锌合金带座轴承

## ZINC ALLOY BEARING UNITS

KP000

KFL000



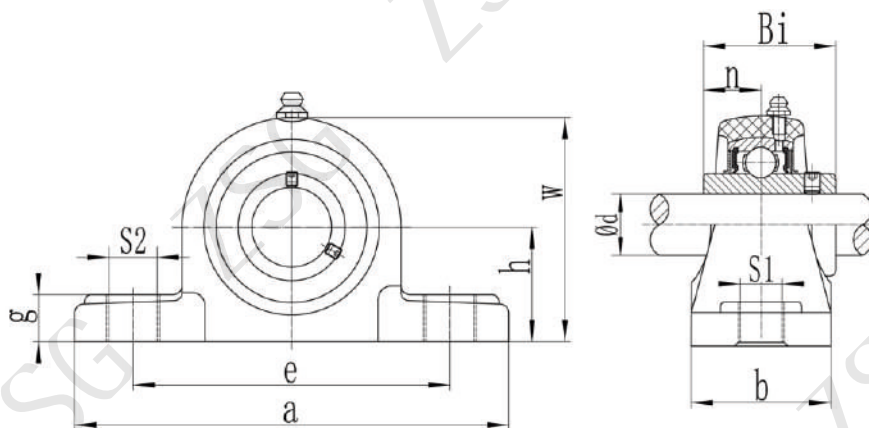
带座轴承 型号 Bearing Unit No.	轴径 Bore Dia	外形尺寸 (毫米) Dimensions (mm)									轴承 Bearing No.	轴承座 Housing No.	螺栓 Bolt Used
	d mm	H	L	J	A	N	H1	H2	B1	S			
KP08	8	15	55	42	13	4.8	5	29	11.5	3.5	K08	P08	M4
KP000	10	18	67	53	16	7	6	35	15	4	K000	P000	M6
KP001	12	19	71	56	16	7	6	38	15	5	K001	P001	M6
KP002	15	22	80	63	16	7	7	43	16.5	5.5	K002	P002	M6
KP003	17	24	85	67	18	7	7	47	17.5	6	K003	P003	M6
KP004	20	28	100	80	20	10	9	55	21	7	K004	P004	M8
KP005	25	32	112	90	20	10	10	62	22.5	7	K005	P005	M8
KP006	30	36	132	106	26	13	11	70	24.5	7.5	K006	P006	M10
KP007	35	40	150	118	26	13	13	80	29.5	8	K007	P007	M10

带座轴承 型号 Bearing Unit No.	轴径 Bore Dia	外形尺寸 (毫米) Dimensions (mm)										轴承 Bearing No.	轴承座 Housing No.	螺栓 Bolt Used
	d mm	H	J	A1	A2	A	N	L	A0	B1	S			
KFL08	8	48	37	4.5	4	8.5	4.8	27	12	11.5	3.5	K08	FL08	M4
KFL000	10	60	45	5.5	5.5	11.5	7	36	16.5	15	4	K000	FL000	M6
KFL001	12	63	48	5.5	5.5	11.5	7	38	15.5	15	5	K001	FL001	M6
KFL002	15	67	53	6.5	6.5	13	7	42	17.5	16.5	5.5	K002	FL002	M6
KFL003	17	71	56	7	7	14	7	46	18.5	17.5	6	K003	FL003	M6
KFL004	20	90	71	8	8	16	10	55	22	21	7	K004	FL004	M8
KFL005	25	95	75	8	8	16	10	60	23.5	22.5	7	K005	FL005	M8
KFL006	30	112	85	9	9	18	13	70	26	24.5	7.5	K006	FL006	M10
KFL007	35	122	95	10	10	20	13	80	31.5	29.5	8	K007	FL007	M10

# 塑料带座轴承

## PLASTIC BEARING UNITS

UCPPL200



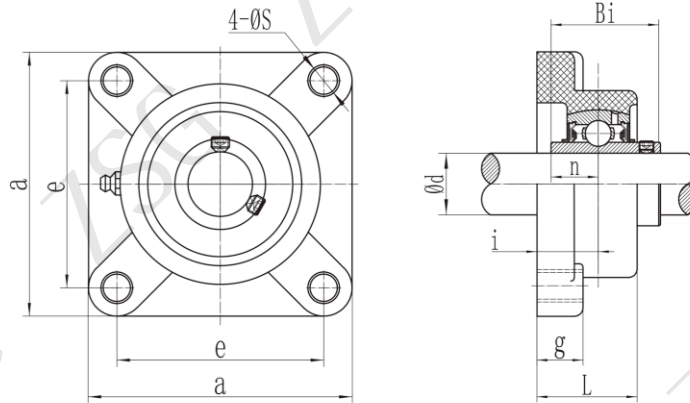
型号 Type	轴径 Bore Dia		外形尺寸 (毫米) Dimensions (mm)										轴承座 重量 Housing Weight (kg)	螺栓 Bull.fiss. Bolt Size	安装 扭矩 Install Torque (Nm)
	d		h	a	e	b	S <sub>1</sub>	S <sub>2</sub>	g	w	Bi	n			
	in	mm													
UCPPL 201	1/2	12	33.3	127	95	38	11	14	14.2	65.5	31	12.7	0.12	M10	18
UCPPL 202	9/16 5/8	15	33.3	127	95	38	11	14	14.2	65.5	31	12.7	0.12	M10	18
UCPPL 203	11/16	17	33.3	127	95	38	11	14	14.2	65.5	31	12.7	0.12	M10	18
UCPPL 204	3/4	20	33.3	127	95	38	11	14	14.2	65.5	31	12.7	0.12	M10	18
UCPPL 205	13/16 7/8 15/16 1	25	36.5	140.5	105	38	11	14	14.5	71.5	34.1	14.3	0.14	M10	25
UCPPL 206	1-1/16 1-1/8 1-3/16 1-1/4	30	42.9	163.5	119	46	14	18	17.8	83.5	38.1	15.9	0.20	M12	30
UCPPL 207	1-1/4 1-5/16 1-3/8 1-7/16	35	47.6	168	127	48	14	18	18	94.5	42.9	17.5	0.25	M12	35
UCPPL 208	1-1/2 1-9/16	40	49.2	184	137	54	14	18	20	99	49.2	19	0.35	M12	45
UCPPL 209	1-5/8 1-11/16 1-3/4	45	54	192	146	54	17	20	23	106	49.2	19	0.45	M16	50
UCPPL 210	1-13/16 1-7/8 1-15/16 2	50	57.2	206	159	60	17	20	23	114	51.6	19	0.55	M16	55
UCPPL 211	2 2-1/16 2-1/8 2-3/16	55	63.5	220	171	60	17	20	23	126	55.6	22.2	0.65	M16	60
UCPPL 212	2-1/4 2-5/16 2-3/8 2-7/16	60	69.8	241	184	70	17	20	25	138	65.1	25.4	0.75	M16	65

Modalita di caricamento Mode of load	Coefficienti di carico (N) Load ratings(N)						
Tipo Type	204	205	206	207	208	209	210
	8800	13700	12650	12750	13100	13360	13850
	7700	10000	10600	10800	11100	11400	11750
	5000	8100	5750	7500	8500	8950	9550

# 塑料带座轴承

## PLASTIC BEARING UNITS

UCFPL200



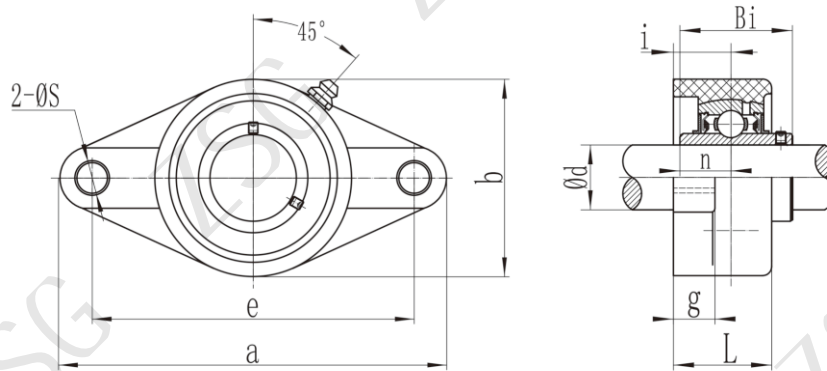
型号 Type	轴径 Bore Dia		外形尺寸 (毫米) Dimensions (mm)								轴承座 重量 Housing Weight (kg)	螺栓 Bull. fiss. Bolt Size	安装 扭矩 Install Torque (Nm)
	d		a	e	g	L	S	i	Bi	n			
	in	mm											
UCFPL201	1/2	12	86	63.5	13.4	27.8	11	18	31	12.7	0.12	M10	18
UCFPL202	9/16 5/8	15	86	63.5	13.4	27.8	11	18	31	12.7	0.12	M10	18
UCFPL203	11/16	17	86	63.5	13.4	27.8	11	18	31	12.7	0.12	M10	18
UCFPL204	3/4	20	86	63.5	13.4	27.8	11	18	31	12.7	0.12	M10	18
UCFPL205	13/16 7/8 15/16 1	25	95	70	14.5	28	11	17	34.1	14.3	0.15	M10	25
UCFPL206	1-1/16 1-1/8 1-3/16 1-1/4	30	107	83	14.5	31.5	11	19.2	38.1	15.9	0.18	M10	30
UCFPL207	1-1/4 1-5/16 1-3/8 1-7/16	35	117	92	16	34.8	13	21.5	42.9	17.5	0.26	M12	35
UCFPL208	1-1/2 1-9/16	40	129	102	17	36.5	14	23	49.2	19	0.33	M12	40
UCFPL209	1-5/8 1-11/16 1-3/4	45	137	105	19	41	17	24	49.2	19	0.42	M16	45
UCFPL210	1-13/16 1-7/8 1-15/16 2	50	143	111	20	42	17	25	51.6	19	0.51	M16	50
UCFPL211	2 2-1/16 2-1/8 2-3/16	55	162	130	19.5	43	19	25	55.6	22.2	0.61	M18	55
UCFPL212	2-1/4 2-5/16 2-3/8 2-7/16	60	175	143	19	48	19	29	65.1	25.4	0.72	M18	60

Modalita di caricamento Mode of load	Coefficienti di carico (N) Load ratings(N)						
Tipo Type	204	205	206	207	208	209	210
	15950	13000	18000	18500	19100	19350	19650
	10250	12150	17700	18500	19250	19350	19620
	3650	3350	3350	3520	3790	3850	3990

# 塑料带座轴承

## PLASTIC BEARING UNITS

### UCFLPL200



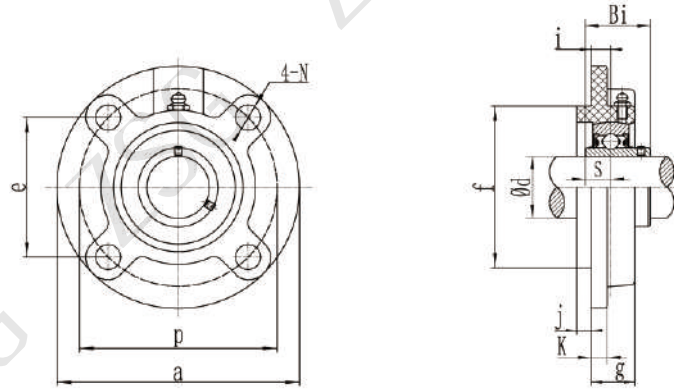
型号 Type	轴径 Bore Dia		外形尺寸 (毫米) Dimensions (mm)									轴承座 重量 Housing Weight (kg)	螺栓 Bull. fiss. Bolt Size	安装 扭矩 Install Torque (Nm)
	d		a	e	b	g	l	s	i	Bi	n			
	in	mm												
UCFLPL 201	1/2	12	113	90	64	11.4	26.5	11	15.4	31	12.7	0.08	M10	18
UCFLPL 202	9/16 5/8	15	113	90	64	11.4	26.5	11	15.4	31	12.7	0.08	M10	18
UCFLPL 203	11/16	17	113	90	64	11.4	26.5	11	15.4	31	12.7	0.08	M10	18
UCFLPL 204	3/4	20	113	90	64	11.4	26.5	11	15.4	31	12.7	0.08	M10	18
UCFLPL 205	13/16 7/8 15/16 1	25	131	99	69.5	14	29.5	11	17	34.1	14.3	0.10	M10	25
UCFLPL 206	1-1/16 1-1/8 1-3/16 1-1/4	30	148	117	80	14	30.5	11	18	38.1	15.9	0.13	M10	30
UCFLPL 207	1-1/4 1-5/16 1-3/8 1-7/16	35	164	130	90	16	32.8	13	18	42.9	17.5	0.16	M12	35
UCFLPL 208	1-1/2 1-9/16	40	175	144	99	20	37.5	14	21.5	49.2	19	0.24	M12	40
UCFLPL 209	1-5/8 1-11/16 1-3/4	45	188	148	108	21	41	17	24	49.2	19	0.32	M16	45
UCFLPL 210	1-13/16 1-7/8 1-15/16 2	50	197	157	115	21	42	17	25	51.6	19	0.42	M16	50
UCFLPL 211	2 2-1/16 2-1/8 2-3/16	55	224	184	128	18.5	43	19	25	55.6	22.2	0.55	M18	55
UCFLPL 212	2-1/4 2-5/16 2-3/8 2-7/16	60	250	202	139	24	48	19	29	65.1	25.4	0.7	M18	60

Modalita di caricamento Mode of load	Coefficienti di carico (N) Load ratings(N)						
Tipo Type	204	205	206	207	208	209	210
	11750	11375	16450	16900	17350	17600	17950
	11000	13850	13350	13950	14050	14300	14550
	8500	11100	14200	14900	15150	15350	15650

# 塑料带座轴承

## PLASTIC BEARING UNITS

UCFCPL200



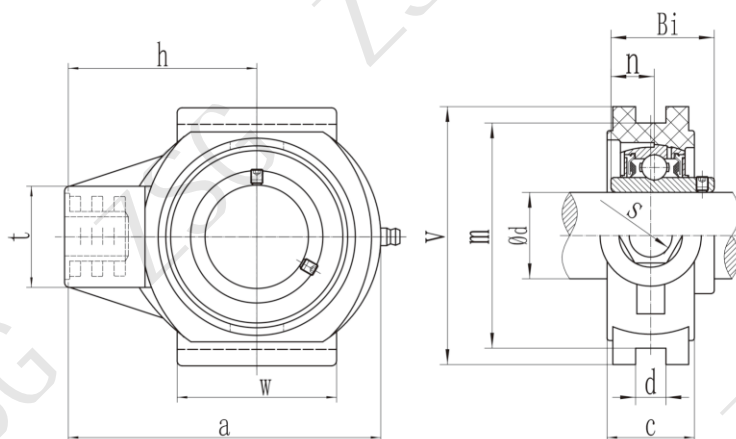
型号 Type	轴径 Bore Dia	外形尺寸 (毫米) Dimensions (mm)											轴承座 重量 Housing Weight (kg)	螺栓 Bull.fiss. Bolt Size	安装 扭矩 Install Torque (Nm)
	d	a	p	e	i	f	N	g	j	k	Bi	S			
	mm														
UCFCPL204	20	100	78	55.1	10	62	11	20.5	5	7	31	12.7	0.13	M10	18
UCFCPL205	25	115	90	63.6	10	70	11	21	6	7	34.1	14.3	0.17	M10	25
UCFCPL206	30	125	100	70.7	10	80	11	23	8	8	38.1	15.9	0.19	M10	30
UCFCPL207	35	135	110	77.8	11	90	13	26	8	9	42.9	17.5	0.23	M12	35
UCFCPL208	40	145	120	84.8	11	100	13	26	10	9	49.2	19	0.28	M12	40

Modalita di caricamento Mode of load	Coefficienti di carico (N) Load ratings(N)				
Tipo Type	204	205	206	207	208
	15950	13000	18000	18500	19100
	10250	12150	17700	18500	19250

# 塑料带座轴承

## PLASTIC BEARING UNITS

UCTPL200



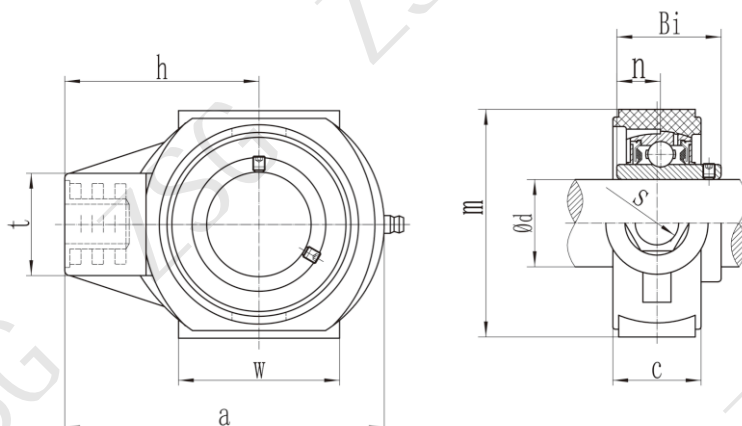
型号 Type	轴径 Bore Dia		外形尺寸 (毫米) Dimensions (mm)										轴承座 重量 Housing Weight (kg)	螺栓 Bull.fiss. Bolt Size
	d		a	c	d	h	m	t	v	w	Bi	n		
	in	mm												
UCTPL 201	1/2	12	101.5	27.5	12	64	76	35	88	47	31	12.7	0.16	M16
UCTPL 202	9/16 5/8	15	101.5	27.5	12	64	76	35	88	47	31	12.7	0.16	M16
UCTPL 203	11/16	17	101.5	27.5	12	64	76	35	88	47	31	12.7	0.16	M16
UCTPL 204	3/4	20	101.5	27.5	12	64	76	35	88	47	31	12.7	0.16	M16
UCTPL 205	13/16 7/8 15/16 1	25	101.5	27.5	12	64	76	35	88	47	34.1	14.3	0.17	M16
UCTPL 206	1-1/16 1-1/8 1-3/16 1-1/4	30	125.5	28	12	76	89	40	102	63	38.1	15.9	0.22	M16
UCTPL 207	1-1/4 1-5/16 1-3/8 1-7/16	35	125	28	12	76	89	40	102	63	42.9	17.5	0.26	M16
UCTPL 208	1-1/2 1-9/16	40	140	29	16	85	102	39.5	114	80	49.2	19	0.25	M16
UCTPL 209	1-5/8 1-11/16 1-3/4	45	149	40	16	90	102	50	117	85	49.2	19	0.48	M20
UCTPL 210	1-13/16 1-7/8 1-15/16 2	50	149	40	16	90	102	50	117	85	51.6	19	0.52	M20

Modalita di caricamento Mode of load	Coefficienti di carico (N) Load ratings(N)						
Tipo Type	204	205	206	207	208	209	210
	14800	15500	15800	16500	17300	18210	18860
	3930	4530	5100	6500	7800	8710	9750
	8500	10350	10900	11300	12150	12900	13550
	40770	45300	46100	44100	42800	44230	44880

# 塑料带座轴承

## PLASTIC BEARING UNITS

### UCECHPL200



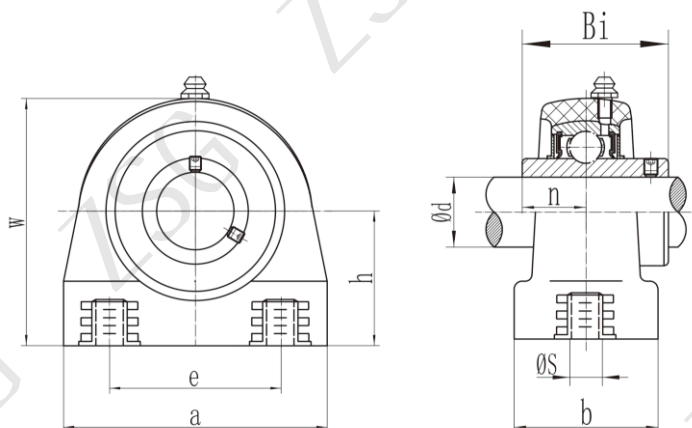
型号 Type	轴径 Bore Dia		外形尺寸 (毫米) Dimensions (mm)								轴承座 重量 Housing Weight (kg)	螺栓 Bull.fiss. Bolt Size
	d		a	c	h	m	t	w	Bi	n		
	in	mm										
UCECHPL201	1/2	12	101	27.5	64	65	35	47	31	12.7	0.15	M16
UCECHPL202	9/16 5/8	15	101	27.5	64	65	35	47	31	12.7	0.15	M16
UCECHPL203	11/16	17	101	27.5	64	65	35	47	31	12.7	0.15	M16
UCECHPL204	3/4	20	101	27.5	64	65	35	47	31	12.7	0.15	M16
UCECHPL205	13/16 7/8 15/16 1	25	101	27.5	64	74	35	47	34.1	14.3	0.16	M16
UCECHPL206	1-1/16 1-1/8 1-3/16 1-1/4	30	125	28	76	90	40	63	38.1	15.9	0.21	M16
UCECHPL207	1-1/4 1-5/16 1-3/8 1-7/16	35	125	28	76	90	40	63	42.9	17.5	0.25	M16
UCECHPL208	1-1/2 1-9/16	40	140	29	85	100	39.5	80	49.2	19	0.36	M16
UCECHPL209	1-5/8 1-11/16 1-3/4	45	149	40	90	110	50	85	49.2	19	0.45	M20
UCECHPL210	1-13/16 1-7/8 1-15/16 2	50	149	40	90	110	50	85	51.6	19	0.49	M20

Modalita di caricamento Mode of load	Coefficienti di carico (N) Load ratings(N)						
Tipo Type	204	205	206	207	208	209	210
	14800	15500	15800	16500	17300	18210	18860
	3930	4530	5100	6500	7800	8710	9750
	8500	10350	10900	11300	12150	12900	13550
	40770	45300	46100	44100	42800	44230	44880

# 塑料带座轴承

## PLASTIC BEARING UNITS

UCPAPL200



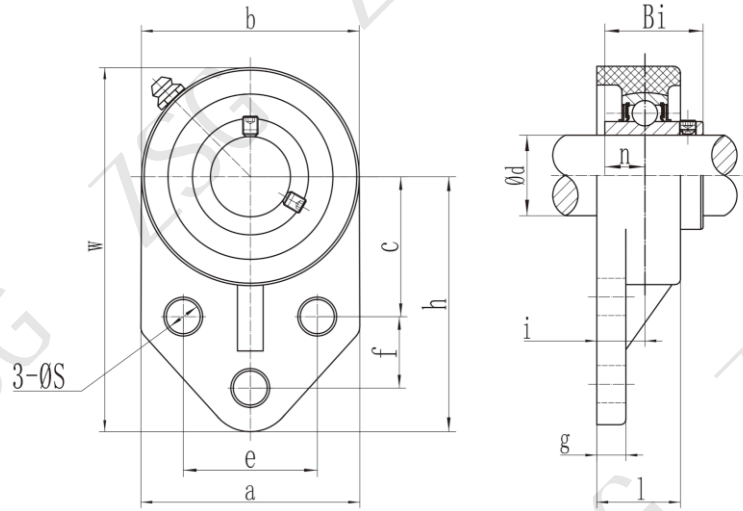
型号 Type	轴径 Bore Dia		外形尺寸 (毫米) Dimensions (mm)							轴承座 重量 Housing Weight (kg)	螺栓 Bull. fiss. Bolt Size	安装 扭矩 Install Torque (Nm)
	d		h	b	w	e	a	Bi	n			
	in	mm										
UCPAPL 201	1/2	12	33.3	35	66.5	50.8	74	31	12.7	0.13	M8	18
UCPAPL 202	9/16 5/8	15	33.3	35	66.5	50.8	74	31	12.7	0.13	M8	18
UCPAPL 203	11/16	17	33.3	35	66.5	50.8	74	31	12.7	0.13	M8	18
UCPAPL 204	3/4	20	33.3	35	66.5	50.8	74	31	12.7	0.13	M8	18
UCPAPL 205	13/16 7/8 15/16 1	25	36.5	39.5	74	50.8	76.5	34.1	14.3	0.15	M10	25
UCPAPL 206	1-1/16 1-1/8 1-3/16 1-1/4	30	42.9	42.5	84.5	76.2	102	38.1	15.9	0.24	M10	30
UCPAPL 207	1-1/4 1-5/16 1-3/8 1-7/16	35	47.6	47.5	95	82.6	109.5	42.9	17.5	0.28	M10	35
UCPAPL 208	1-1/2 1-9/16	40	49.2	48	100.5	88.9	121	49.2	19	0.39	M12	45
UCPAPL 209	1-5/8 1-11/16 1-3/4	45	54	50	107	95.3	124	49.2	19	0.47	M12	50
UCPAPL 210	1-13/16 1-7/8 1-15/16 2	50	57.2	54	115	101.6	135	51.6	19	0.56	M16	55
UCPAPL 211	2 2-1/16 2-1/8 2-3/16	55	63.5	66	125	104	140	55.6	22.2	0.71	M20	60
UCPAPL 212	2-1/4 2-5/16 2-3/8 2-7/16	60	69.9	68	138	114	150	65.1	25.4	0.8	M20	65

Modalita di caricamento Mode of load	Coefficienti di carico (N) Load ratings(N)						
Tipo Type	204	205	206	207	208	209	210
	8210	8540	10370	12150	12230	12900	13850
	6900	7010	6580	8080	9100	10400	11050
	2980	2850	4950	8160	9800	10710	11360

# 塑料带座轴承

## PLASTIC BEARING UNITS

### UCFBPL200



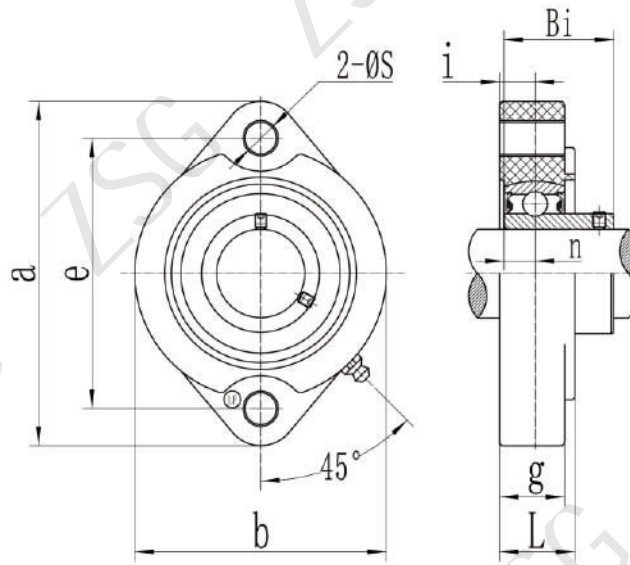
型号 Type	轴径 Bore Dia		外形尺寸 (毫米) Dimensions (mm)													轴承座 重量 Housing Weight (kg)	螺栓 Bull. fiss. Bolt Size	安装 扭矩 Install Torque (Nm)
	d		a	e	h	w	s	f	c	b	l	g	i	n	Bi			
	in	mm																
UCFBPL 201	1/2	12	62	38.1	76.5	108.5	11	22.2	42.9	62	26.5	12	15.4	12.7	31	0.1	M10	18
UCFBPL 202	9/16 5/8	15	62	38.1	76.5	108.5	11	22.2	42.9	62	26.5	12	15.4	12.7	31	0.1	M10	18
UCFBPL 203	11/16	17	62	38.1	76.5	108.5	11	22.2	42.9	62	26.5	12	15.4	12.7	31	0.1	M10	18
UCFBPL 204	3/4	20	62	38.1	76.5	108.5	11	22.2	42.9	62	26.5	12	15.4	12.7	31	0.1	M10	18
UCFBPL 205	13/16 7/8 15/16 1	25	63.5	41.3	85.7	120.6	11	28.6	46	69	28	12	16.5	14.3	34.1	0.12	M10	25
UCFBPL 206	1-1/16 1-1/8 1-3/16 1-1/4	30	75	47.6	98.5	140	11	31.8	52.4	82	31.5	14	19	15.9	38.1	0.16	M10	30
UCFBPL 207	1-1/4 1-5/16 1-3/8 1-7/16	35	89	50.8	110	158	13	31.8	60.3	94	36.5	17	21.4	17.5	42.9	0.18	M12	35
UCFBPL 208	1-1/2 1-9/16	40	78	50	114	164	13	41.3	60.3	100	35.7	18	21.4	19	49.2	0.23	M12	40

Modalita di caricamento Mode of load	Coefficienti di carico (N) Load ratings(N)				
Tipo Type	204	205	206	207	208
	7200	9100	12200	12900	13600
	9200	11100	11800	11900	12100
	2600	2800	2900	3100	3300

# 塑料带座轴承

## PLASTIC BEARING UNITS

SSBLFPL200

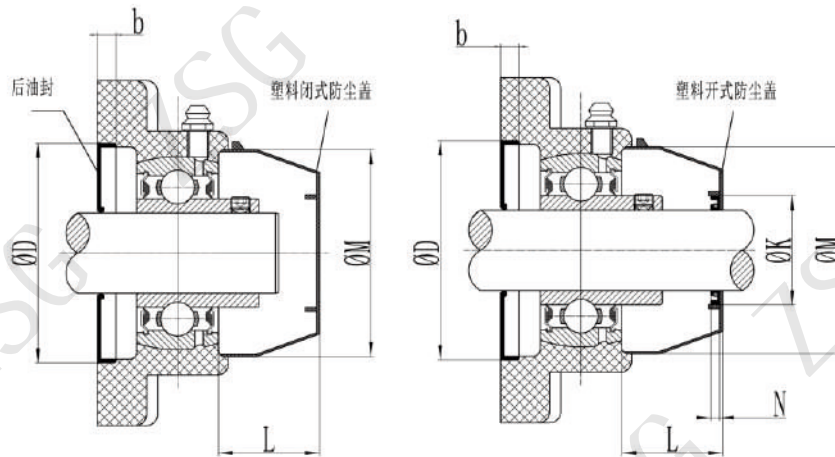


型号 Type	轴径 Bore Dia		外形尺寸 (毫米) Dimensions (mm)									轴承座 重量 Housing Weight (kg)	螺栓 Bull.fiss. Bolt Size	安装 扭矩 Install Torque (Nm)	
	d		a	e	b	g	l	s	n	i	Bi				
	in	mm													
SSBLFPL 201	1/2	12													
SSBLFPL 202	9/16 5/8	15	81	63.5	56	16	18	9	6	9.5	22	0.048	M8	18	
SSBLFPL 203	11/16	17													
SSBLFPL 204	3/4	20	90.5	71.4	66.5	18.4	20	9	7	9.5	25	0.067	M8	18	
SSBLFPL 205	13/16 7/8 15/16 1	25	97	76.2	70	18.4	21.2	9	7.5	10	27	0.074	M8	25	
SSBLFPL 206	1-1/16 1-1/8 1-3/16 1-1/4	30	112.5	90.5	84	20.5	23.3	11	8	11.5	30	0.106	M10	30	
SSBLFPL 207	1-1/4 1-5/16 1-3/8 1-7/16	35	126	100	94	22.5	25.3	11	8.5	12.5	32	0.135	M10	35	
SSBLFPL 208	1-1/2 1-9/16	40	150	119	99	24	26.8	14	9	13.5	34	0.168	M12	40	

# 塑料带座轴承

## PLASTIC BEARING UNITS

EC200(C)/EC200(0)

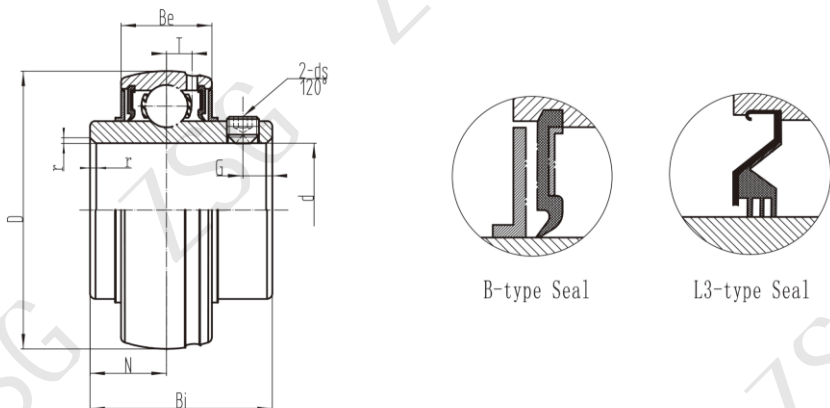


带座轴承型号 Bearing Unit No.	轴径 Bore Dia	外形尺寸 (毫米) Dimensions (mm)					
	d mm	D	b	M	N	K	L
EC204(C)/EC204(0)	20	52	6	50	7	32	23
EC205(C)/EC205(0)	25	62	6	55	7	37	25
EC206(C)/EC206(0)	30	72	6	64	7	42	30
EC207(C)/EC207(0)	35	82	6	74.5	7	47	32
EC208(C)/EC208(0)	40	88	6	84	7	52	37
EC209(C)/EC209(0)	45	93	6	89	7	57	41
EC210(C)/EC210(0)	50	98	6	94	7	62	47
EC211(C)/EC211(0)	55	108	6	104	7	65	56
EC212(C)/EC212(0)	60	118	6	114	7	70	60

# 不锈钢外球面轴承

## STAINLESS STEEL BEARINGS

### SUC200

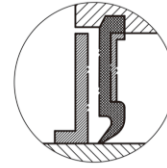
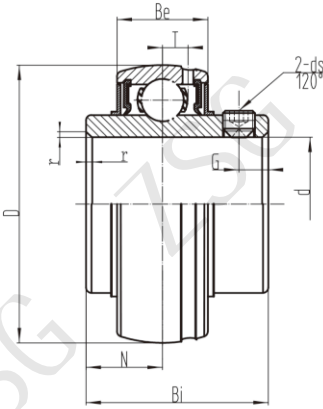


轴承型号 Bearing No.	轴径 Bore Dia		外形尺寸 (毫米) Dimensions (mm)								额定 动负荷 Basic Load Rating (kN)	额定 静负荷 Basic Static Load Rating (kN)	重量 Weight (kg)	
	d		D	Bi	Be	r	N	M	G	ds				T
	in	mm												
SUC201S	1/2	12	40	26	15	1	10	16	4	M5×0.8	3.5	7.65	3.60	0.12
SUC201-8S		10-32								0.12				
SUC202S		M5×0.8								0.11				
SUC202-10S	5/8	15	47	31	16(420)	1	12.7	18.3	4.7	M5×0.8	4.0	10.37	5.08	0.11
SUC203S		10-32								0.11				
SUC203-11S	11/16	17	52	34.1	17(440)	1.5	14.3	19.8	5	M5×0.8	4.2	11.31	6.00	0.10
SUC204S		10-32								0.10				
SUC205	3/4	20	62	38.1	19	1.5	15.9	22.2	5	M6×0.75	5.0	15.81	8.64	0.21
SUC205-14		1/4-28								0.20				
SUC205-15	7/8	25	72	42.9	20	2.0	17.5	25.4	7	M6×0.75	5.7	20.83	11.68	0.19
SUC205-16		1/4-28								0.19				
SUC206	1	30	80	49.2	21	2.0	19.0	30.2	8	M6×0.75	6.3	23.55	13.60	0.31
SUC206-17		1/4-28								0.36				
SUC206-18	1-1/16	35	85	49.2	22	2.0	19.0	30.2	8	M8×1	6.3	26.35	15.60	0.34
SUC206-19										5/16-24				0.32
SUC206-20	1-3/16	40	90	51.6	24	2.0	19.0	32.6	10	M8×1	6.6	28.48	18	0.31
SUC207										5/16-24				0.31
SUC207-20	1-1/4	45	90	51.6	24	2.0	19.0	32.6	10	M8×1	7	35.28	22.4	0.46
SUC207-21										5/16-24				0.52
SUC207-22	1-5/16	50	100	55.6	25	2.5	22.2	33.4	10	M10×1.25	7	35.28	22.4	0.50
SUC207-23										3/8-24				0.48
SUC208	1-7/8	55	100	55.6	25	2.5	22.2	33.4	10	M10×1.25	7	35.28	22.4	0.46
SUC208-24										5/16-24				0.63
SUC208-25	1-9/16	60	110	65.1	27	2.5	25.4	39.7	10	M8×1	7	42.5	26.34	0.68
SUC209										5/16-24				0.64
SUC209-26	1-5/8	65	120	65.1	30	2.5	25.4	39.7	10	M8×1	8.5	46.5	30.4	0.70
SUC209-27										5/16-24				0.78
SUC209-28	1-11/16	70	125	74.6	30	2.5	30.2	44.4	12	M10×1.25	8.9	50.15	33.6	0.74
SUC210										3/8-24				0.70
SUC210-29	1-3/16	75	130	77.8	32	2.5	33.3	44.5	12	M10×1.25	9.2	53.55	37.6	0.78
SUC210-30										3/8-24				0.89
SUC210-31	1-15/16	80	140	82.6	33	3	33.3	49.3	14	M10×1.25	9.6	58.65	40.8	0.85
SUC210-32										3/8-24				0.80
SUC211	2	85	150	85.7	35	3	34.1	51.6	14	M10×1.25	10.5	68	48.8	1.07
SUC211-32										3/8-24				1.22
SUC211-33	2-1/16	90	160	96	37	3	39.7	56.3	15	M12×1.5	11	77.52	54.56	1.18
SUC211-34										3/8-24				1.10
SUC211-35	2-1/8	60	110	65.1	27	2.5	25.4	39.7	10	M12×1.5	8.9	50.15	33.6	1.05
SUC212										3/8-24				1.52
SUC212-36	2-1/4	65	120	65.1	30	2.5	25.4	39.7	10	M10×1.25	8.5	46.5	30.4	1.65
SUC212-37										3/8-24				1.55
SUC212-38	2-5/16	70	125	74.6	30	2.5	30.2	44.4	12	M12×1.5	9.2	53.55	37.6	1.49
SUC212-39										7/16-20				1.42
SUC213	2-3/8	75	130	77.8	32	2.5	33.3	44.5	12	M12×1.5	9.2	53.55	37.6	1.80
SUC213-40										7/16-20				1.88
SUC213-41	2-7/8	80	140	82.6	33	3	33.3	49.3	14	M12×1.5	9.6	58.65	40.8	1.80
SUC214										7/16-20				2.06
SUC214-42	2-11/16	85	150	85.7	35	3	34.1	51.6	14	M12×1.5	10.5	68	48.8	2.10
SUC214-43										7/16-20				2.08
SUC214-44	2-3/4	90	160	96	37	3	39.7	56.3	15	M12×1.5	11	77.52	54.56	2.07
SUC215										7/16-20				2.19
SUC215-45	2-13/16	95	165	98.8	38	3	39.7	56.3	15	M12×1.5	11	77.52	54.56	2.41
SUC215-46										7/16-20				2.31
SUC215-47	2-7/8	100	170	101.6	39	3	39.7	56.3	15	M12×1.5	11	77.52	54.56	2.21
SUC215-48										7/16-20				2.11
SUC216	3	105	175	104.8	40	3	39.7	56.3	15	M12×1.5	11	77.52	54.56	2.82
SUC216-50										7/16-20				2.90
SUC217	3-1/8	110	180	111.8	41	3	39.7	56.3	15	M12×1.5	11	77.52	54.56	3.46
SUC217-52										7/16-20				3.56
SUC218	3-1/4	115	185	116.8	42	3	39.7	56.3	15	M12×1.5	11	77.52	54.56	4.53
SUC218-56										7/16-20				4.62

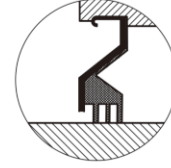
# 不锈钢外球面轴承

## STAINLESS STEEL BEARINGS

### SUC300



B-type Seal



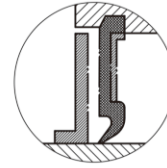
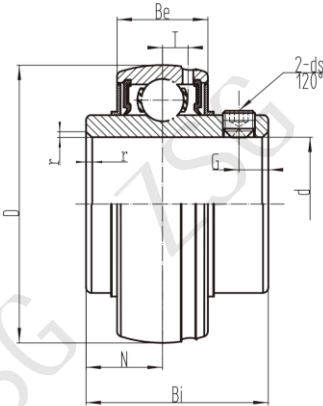
L3-type Seal

轴承型号 Bearing No.	轴径 Bore Dia		外形尺寸 (毫米) Dimensions (mm)									额定 动负荷 Basic Load Rating (kN)	额定 静负荷 Basic Static Load Rating (kN)	重量 Weight (kg)
	d		D	Bi	Be	r	N	M	G	ds	T			
	in	mm												
SUC305		25												0.35
SUC305-14	7/8		62	38	21	2	15	23	6.0	M6×0.75	6.1	14.71	9.21	0.39
SUC305-15	15/16													0.37
SUC305-16	1													0.35
SUC306		30												0.56
SUC306-18	1-1/8		72	43	23	2	17	26	6.0	M6×0.75	6.7	18.47	12.66	0.60
SUC306-19	1-3/16													0.54
SUC307		35												0.75
SUC307-20	1-1/4		80	48	25	2.5	19.0	29	8.0	M8×1	7.4	21.89	14.66	0.81
SUC307-21	1-5/16													0.79
SUC307-22	1-3/8													0.75
SUC308		40												1.00
SUC308-24	1-1/2		90	52	27	2.5	19.0	33	10	M10×1.25	8.2	26.65	19.21	1.07
SUC308-25	1-9/16													1.00
SUC309		45												1.26
SUC309-26	1-5/8		100	57	30	2.5	22	35	10	M10×1.25	9	34.56	25.46	1.39
SUC309-27	1-11/16													1.33
SUC309-28	1-3/4													1.28
SUC310		50												1.65
SUC310-30	1-7/8		110	61	32	3	22	39	12	M12×1.5	10	40.44	30.35	1.75
SUC310-31	1-15/16													1.67
SUC311		55												2.10
SUC311-32	2		120	66	34	3	25	41	12	M12×1.5	10.7	46.79	35.81	2.30
SUC311-34	2-1/8													2.20
SUC311-35	2-3/16													2.00
SUC312		60												2.50
SUC312-36	2-1/4		130	71	36	3.5	26	45	12	M12×1.5	11.5	53.45	41.48	2.80
SUC312-38	2-3/8													2.60
SUC312-39	2-7/16													2.60
SUC313		65												3.32
SUC313-40	2-1/2		140	75	38	3.5	30	45	12	M12×1.5	12.2	60.64	47.74	3.46
SUC314		70												3.90
SUC314-44	2-3/4		150	78	40	3.5	33	45	12	M12×1.5	13	68.09	54.43	3.90
SUC315		75												4.18
SUC315-48	3		160	82	42	3.5	32	50	14	M14×1.5	13.8	74.05	57.07	4.33
SUC316		80												5.04
SUC316-50	3-1/8		170	86	44	3.5	34	52	14	M14×1.5	14.5	80.38	65.30	5.10
SUC317		85												6.60
SUC317-52	3-1/4		180	96	46	4	40	56	16	M16×1.5	15	86.72	71.58	6.85
SUC318		90												7.45
SUC318-56	3-1/2		190	96	48	4	40	56	16	M16×1.5	15.9	94.13	80.75	7.56
SUC320		100												10.18
SUC320-64	4		215	108	54	4	42	66	18	M18×1.5	18	119.12	100.35	9.96

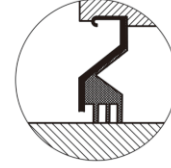
# 不锈钢外球面轴承

## STAINLESS STEEL BEARINGS

SUCX00



B-type Seal



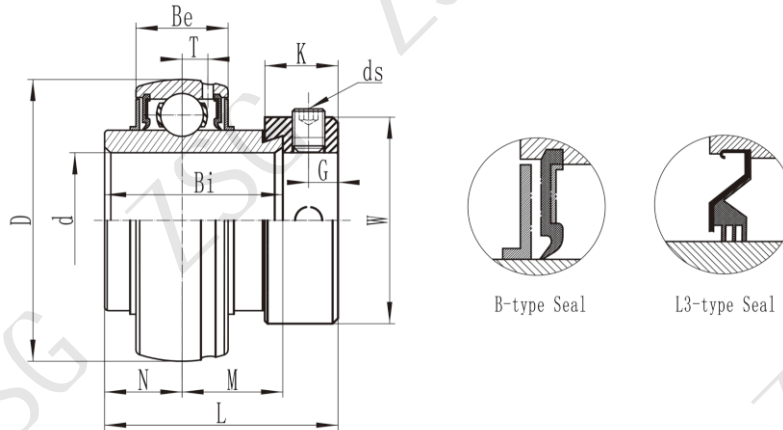
L3-type Seal

轴承型号 Bearing No.	轴径 Bore Dia		外形尺寸 (毫米) Dimensions (mm)									额定 动负荷 Basic Load Rating (kN)	额定 静负荷 Basic Static Load Rating (kN)	重量 Weight (kg)
	d		D	Bi	Be	r	N	M	G	ds	T			
	in	mm												
SUCX05		25												0.35
SUCX05-14	7/8		62	38.1	19.0	1.5	15.9	22.2	5.0	M6×0.75	5	15.81	8.64	0.38
SUCX05-15	15/16													0.36
SUCX05-16	1													0.34
SUCX06		30												0.54
SUCX06-17	1-1/16		72	42.9	20.0	2	17.5	25.4	6	M8×1	5.7	20.83	11.68	0.59
SUCX06-18	1-1/8													0.57
SUCX06-19	1-3/16													0.54
SUCX06-20	1-1/4													0.52
SUCX07		35												0.70
SUCX07-20	1-1/4		80	49.2	21.0	2	19.0	30.2	8.0	M8×1	6.2	23.55	13.6	0.77
SUCX07-21	1-5/16													0.74
SUCX07-22	1-3/8													0.70
SUCX07-23	1-7/16													0.67
SUCX08		40												0.88
SUCX08-24	1-1/2		85	49.2	22.0	2	19.0	30.2	8.0	M8×1	6.4	26.27	15.52	0.92
SUCX08-25	1-9/16													0.88
SUCX09		45												1.03
SUCX09-26	1-5/8		90	51.6	24	2	19.0	32.6	10	M10×1.25	6.5	28.05	17.68	1.13
SUCX09-27	1-11/16													1.09
SUCX09-28	1-3/4													1.05
SUCX10		50												1.28
SUCX10-29	1-13/16		100	55.6	25	2.5	22.2	33.4	10	M10×1.25	7	35.19	22.24	1.41
SUCX10-30	1-7/8													1.36
SUCX10-31	1-15/16													1.31
SUCX10-32	2													1.26
SUCX11		55												1.73
SUCX11-32	2		110	65.1	27	2.5	25.4	39.7	10	M10×1.25	7.6	42.42	27.36	1.90
SUCX11-33	2-1/16													1.84
SUCX11-34	2-1/8													1.77
SUCX11-35	2-3/16													1.70
SUCX12		60												1.87
SUCX12-36	2-1/4		120	65.1	28	2.5	25.4	39.7	10	M10×1.25	8.9	46.50	30.4	2.00
SUCX12-37	2-5/16													1.93
SUCX12-38	2-3/8													1.85
SUCX12-39	2-7/16													1.78
SUCX13		65												2.23
SUCX13-40	2-1/2		125	74.6	30	2.5	30.2	44.4	12	M12×1.5	8.9	50.07	33.44	2.32
SUCX13-41	2-9/16													2.23
SUCX14		70												2.39
SUCX14-42	2-5/8		130	77.8	32	2.5	33.3	44.5	12	M12×1.5	8.9	53.55	37.68	2.61
SUCX14-43	2-11/16													2.50
SUCX14-44	2-3/4													2.40
SUCX15		75												3.33
SUCX15-45	2-13/16		140	82.6	33.0	3	33.3	49.3	14	M12×1.5	9.6	58.57	40.4	3.59
SUCX15-46	2-7/8													3.47
SUCX15-47	2-15/16													3.36
SUCX15-48	3													3.23
SUCX16		80												4.11
SUCX16-50	3-1/8		150	85.7	35	3	34.1	51.6	14	M12×1.5	10	67.49	48.8	4.16
SUCX17		85												4.77
SUCX17-52	3-1/4		160	96	37	3	39.7	56.3	15	M12×1.5	11	77.78	54.4	5.01

# 不锈钢外球面轴承

## STAINLESS STEEL BEARINGS

SHC200

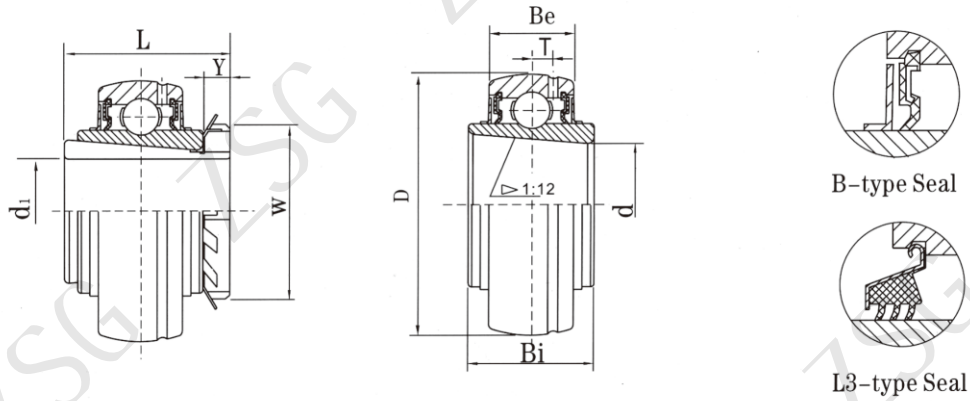


轴承型号 Bearing No.	轴径 Bore Dia		外形尺寸 (毫米) Dimensions (mm)										额定 动负荷 Basic Load Rating (kN)	额定 静负荷 Basic Static Load Rating (kN)	重量 Weight (kg)	
	d		D	Bi	Be	N	M	T	L	W	K	G				ds
	in	mm														
SHC201	1/2	12	47	29.8	16(420) 17(440)	12.7	17.1	4	39.3	33.3	13.5	5	M6×0.75	10.91	5.32	0.22
SHC201-8		15											0.22			
SHC202		17											0.19			
SHC202-10	5/8	17	47	29.8	16(420) 17(440)	12.7	17.1	4	39.3	33.3	13.5	5	1/4-28	10.91	5.32	0.19
SHC203		20											0.18			
SHC203-11		20											0.18			
SHC204	3/4	20	47	29.8	16(420) 17(440)	12.7	17.1	4	39.3	33.3	13.5	5	M6×0.75	10.91	5.32	0.17
SHC204-12		25											0.17			
SHC205		25											0.20			
SHC205-14	7/8	25	52	31.7	17	14.3	17.4	4.2	41.2	38.1	13.5	5	M6×0.75	11.16	6	0.24
SHC205-15		30											0.23			
SHC205-16		30											0.21			
SHC206	1-1/16	30	62	34.1	19	15.9	18.2	5.0	46	44.5	15.9	6	M8×1	15.81	8.64	0.30
SHC206-17		35											0.35			
SHC206-18		35											0.33			
SHC206-19	1-3/16	35	62	34.1	19	15.9	18.2	5.0	46	44.5	15.9	6	5/16-24	15.81	8.64	0.30
SHC206-20		40											0.27			
SHC207		40											0.54			
SHC207-20	1-1/4	35	72	36.3	20	17.5	18.8	5.7	49.8	55.6	17.5	6.5	M8×1	20.83	11.68	0.60
SHC207-21		45											0.57			
SHC207-22		45											0.54			
SHC207-23	1-7/16	35	72	36.3	20	17.5	18.8	5.7	49.8	55.6	17.5	6.5	5/16-24	20.83	11.68	0.50
SHC208		40											0.69			
SHC208-24		40											0.73			
SHC208-25	1-9/16	40	80	40.4	21	19	21.4	6.3	53.9	60.3	18.3	6.5	M8×1	23.55	13.6	0.70
SHC209		45											0.75			
SHC209-26		45											0.90			
SHC209-27	1-5/8	45	85	40.5	22	19.1	21.4	6.3	54	63.5	18.3	6.5	M8×1	26.35	15.6	0.83
SHC209-28		50											0.79			
SHC210		50											1.03			
SHC210-29	1-3/16	50	90	43.6	24	19	24.6	6.6	57.1	69.9	18.3	6.5	M8×1	28.48	18	1.17
SHC210-30		55											1.12			
SHC210-31		55											1.06			
SHC210-32	2	50	90	43.6	24	19	24.6	6.6	57.1	69.9	18.3	6.5	5/16-24	28.48	18	1.00
SHC211		55											1.30			
SHC211-32		55											1.49			
SHC211-33	2	55	100	49.9	25	22.2	27.8	7.0	65.8	76.2	20.7	8	M10×1.25	35.28	22.4	1.42
SHC211-34		60											1.35			
SHC211-35		60											1.32			
SHC212	2-1/4	60	110	61.9	27	31	30.9	7.0	77.8	83	22.3	8	M12×1.25	42.5	27.6	1.60
SHC212-36		65											1.85			
SHC212-37		65											1.76			
SHC212-38	2-3/8	60	110	61.9	27	31	30.9	7.0	77.8	83	22.3	8	3/8-24	42.5	27.6	1.67
SHC212-39		65											1.58			

# 不锈钢外球面轴承

## STAINLESS STEEL BEARINGS

### SUK200

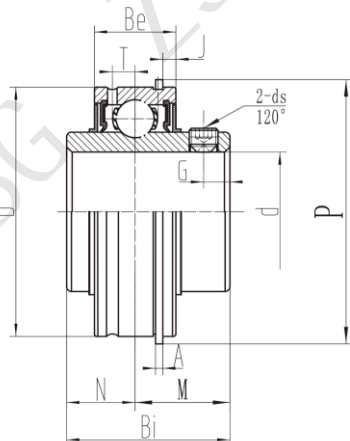


轴承型号 Bearing No.	轴径 Bore Dia		外形尺寸 (毫米) Dimensions (mm)							额定 动负荷 Basic Load Rating (kN)	额定 静负荷 Basic Static Load Rating (kN)	重量 Weight (kg)	
	d		D	Bi	Be	L	Y	d	W				T
	in	mm											
SUK205+H2305	3/4	20	52	23	17	35	25	8	38	4.5	11.92	6.30	0.24
SUK205+HE2305		13/16											0.25
SUK205+HA2306		1											0.24
SUK206+H2306	7/8	25	62	26	19	38	30	8	45	5.1	16.54	9.05	0.40
SUK206+HS2306		15/16											0.42
SUK206+HA2306		1											0.41
SUK206+HE2306		1-1/8											0.37
SUK207+H2307	1-1/8	30	72	27	20	43	35	9	52	5.8	21.82	12.24	0.55
SUK207+HS2307		1-3/16											0.57
SUK207+HA2307		1-1/2											0.55
SUK208+H2308	1-1/4	35	80	29	21	46	40	10	58	6.2	25.09	14.51	0.72
SUK208+HE2308		1-5/16											0.78
SUK208+HA2308		1-3/8											0.75
SUK208+HS2308		1-7/8											0.72
SUK209+H2309	1-7/16	40	85	30	22	50	45	11	65	6.5	26.92	16.54	0.80
SUK209+HA2309		1-1/2											0.89
SUK209+HE2309		1-5/8											0.84
SUK209+HS2309		2											0.77
SUK210+H2310	1-11/16	45	90	31	24	55	50	12	70	6.5	29.81	18.54	0.93
SUK210+HA2310		1-3/4											0.98
SUK210+HE2310		2											0.95
SUK211+H2311	1-7/8	50	100	33	25	59	55	12	75	7.3	36.87	23.38	1.19
SUK211+HS2311		1-15/16											1.28
SUK211+HA2311		2											1.22
SUK211+HE2311		2-1/16											1.17
SUK212+H2312	2-1/16	55	110	36	27	62	60	13	80	7.7	40.60	26.34	1.52
SUK212+HA2312		2-1/8											1.62
SUK212+HS2312		2-3/8											1.56
SUK213+H2313	2-3/16	60	120	38	28	65	65	14	85	8.3	48.63	32	1.91
SUK213+HA2313		2-1/4											2.10
SUK213+HE2313		2-3/8											2.04
SUK213+HS2313		2-7/8											1.89
SUK215+H2315	2-1/2	65	130	41	32	73	75	15	98	9.2	56.19	39.6	2.56
SUK215+HE2315		3											2.65
SUK216+H2316	2-3/4	70	140	44	33	78	80	17	105	9.6	61.63	42.4	3.23
SUK216+HE2316		3											3.24
SUK217+H2317	3	75	150	46	35	82	85	18	110	10.5	70.98	51.2	3.72
SUK217+HE2317		3-1/8											3.84
SUK218+H2318	3-1/8	80	160	49	37	86	90	18	120	11.1	81.6	57.2	4.75
SUK218+HS2318		4											4.80

# 不锈钢外球面轴承

## STAINLESS STEEL BEARINGS

### SSER200

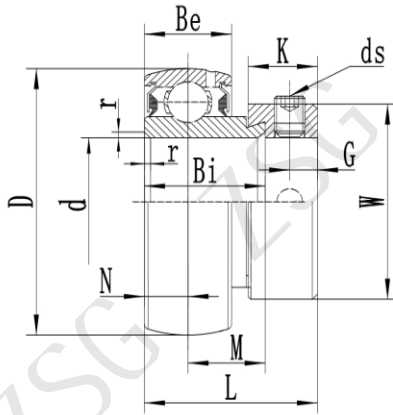


带座轴承型号 Bearing No.	轴径 Bore Dia		外形尺寸 (毫米) Dimensions (mm)										额定 动负荷 Basic Load Rating (kN)	额定 静负荷 Basic Static Load Rating (kN)	重量 Weight (kg)																																																																																																																					
	d		D	Bi	Be	N	M	T	P	J	A	G				ds																																																																																																																				
	in	mm																																																																																																																																		
SSER201	1/2	12	47	31.0	15.9	12.7	18.3	4.0	52.7	2.4	1.07	4.7	8.4	4.96	0.27																																																																																																																					
SSER201-8		15														M6×0.75	0.27																																																																																																																			
SSER202	5/8	17														52	34.1	19	14.3	19.8	4.3	57.9	2.4	1.07	5.0	9.163	5.58	0.23																																																																																																								
SSER202-10		15																											M6×0.75	0.25																																																																																																						
SSER203	11/16	20																											62	38.1	22.2	15.9	22.2	5.5	67.7	3.2	1.65	5.0	12.72	8.03	0.24																																																																																											
SSER203-11		17																																								M6×0.75	0.23																																																																																									
SSER204	3/4	25																																								80	49.2	27.8	19.0	30.2	7.5	86.6	3.2	1.65	8.0	19.30	12.75	0.23																																																																														
SSER204-12		20																																																					M6×0.75	0.22																																																																												
SSER205	7/8	30																																																					85	49.2	27.8	19.0	30.2	7.5	91.6	3.2	1.65	8.0	20.71	14.17	0.22																																																																	
SSER205-14		25																																																																		M6×0.75	0.21																																																															
SSER205-15	1	35																																																																		90	51.6	28.6	19.0	32.6	7.5	96.5	3.2	2.41	10	22.93	15.87	0.20																																																				
SSER205-16		30																																																																															M6×0.75	0.20																																																		
SSER206	1-1/16	40																																																																															100	55.6	30.2	22.2	33.4	7.5	106.5	3.2	2.41	10	28.36	20.09	0.35																																							
SSER206-17		35																																																																																												M8×1	0.51																																					
SSER206-18	1-1/8	45																																																																																												110	65.1	31.8	25.4	39.7	8.5	116.6	3.2	2.41	10	31.23	22.38	0.38																										
SSER206-19		40																																																																																																									M8×1	0.56																								
SSER206-20	1-1/4	50																																																																																																									120	65.1	34.9	25.4	39.7	9.5	127.2	4.0	2.77	10	48.63	32	0.37													
SSER207		45																																																																																																																						M8×1	0.52											
SSER207-20	1-1/4	55																																																																																																																						125	74.6	34.9	30.2	44.4	9.5	132.5	4.0	2.77	12	51.71	36.02	0.48
SSER207-21		50																																																																																																																																		
SSER207-22	1-5/16	60	130	77.8	38.1	33.3	44.5	9.5	139.7	4.0	2.77	12	56.19	39.6	0.52																																																																																																																					
SSER207-23		55																																																																																																																																		
SSER208	1-1/2	65														140	82.5	37.8	28.6	38.1	10.5	149.5	4.0	2.77	12	60.33	42.4	0.68																																																																																																								
SSER208-24		60																																																																																																																																		
SSER208-25	1-9/16	70																											150	89.1	41.3	31.8	41.3	11.5	162.5	4.0	2.77	12	65.48	45.8	0.72																																																																																											
SSER209		65																																																																																																																																		
SSER209-26	1-5/8	75																																								160	95.7	44.8	35.4	44.8	12.5	175.5	4.0	2.77	12	70.63	49.6	0.81																																																																														
SSER209-27		70																																																																																																																																		
SSER209-28	1-11/16	80																																																					170	102.3	48.3	38.6	48.3	13.5	188.5	4.0	2.77	12	75.78	53.9	0.90																																																																	
SSER210		75																																																																																																																																		
SSER210-29	1-3/4	85																																																																		180	108.9	51.8	41.9	51.8	14.5	201.5	4.0	2.77	12	80.93	58.2	0.80																																																				
SSER210-30		80																																																																																																																																		
SSER210-31	1-15/16	90																																																																															190	115.5	55.3	45.4	55.3	15.5	214.5	4.0	2.77	12	86.08	62.1	0.82																																							
SSER210-32		85																																																																																																																																		
SSER211	2	95																																																																																												200	122.1	58.8	48.9	58.8	16.5	227.5	4.0	2.77	12	91.23	66.0	1.15																										
SSER211-32		90																																																																																																																																		
SSER211-33	2-1/16	100																																																																																																									210	128.7	62.3	52.4	62.3	17.5	240.5	4.0	2.77	12	96.38	70.1	1.28													
SSER211-34		95																																																																																																																																		
SSER211-35	2-3/16	105																																																																																																																						220	135.3	65.8	55.9	65.8	18.5	253.5	4.0	2.77	12	101.53	74.2	1.24
SSER212		100																																																																																																																																		
SSER212-36	2-1/4	110	230	141.9	69.3	59.4	69.3	19.5	266.5	4.0	2.77	12	106.68	78.3	1.18																																																																																																																					
SSER212-37		105																																																																																																																																		
SSER212-38	2-5/16	115														240	148.5	72.8	62.9	72.8	20.5	279.5	4.0	2.77	12	111.83	82.4	1.12																																																																																																								
SSER212-39		110																																																																																																																																		
SSER213	2-1/2	120																											250	155.1	76.3	66.4	76.3	21.5	292.5	4.0	2.77	12	117.03	86.5	1.58																																																																																											
SSER213-40		115																																																																																																																																		
SSER213-41	2-9/16	125																																								260	161.7	79.8	69.9	79.8	22.5	305.5	4.0	2.77	12	122.18	90.6	1.70																																																																														
SSER214		120																																																																																																																																		
SSER214-42	2-5/8	130																																																					270	168.3	83.3	73.4	83.3	23.5	318.5	4.0	2.77	12	127.33	94.7	1.62																																																																	
SSER214-43		125																																																																																																																																		
SSER214-44	2-11/16	135																																																																		280	174.9	86.8	76.9	86.8	24.5	331.5	4.0	2.77	12	132.48	98.8	1.56																																																				
SSER215		130																																																																																																																																		
SSER215-45	2-13/16	140																																																																															290	181.5	90.3	80.4	90.3	25.5	344.5	4.0	2.77	12	137.63	102.9	1.48																																							
SSER215-46		135																																																																																																																																		
SSER215-47	2-7/8	145																																																																																												300	188.1	93.8	83.9	93.8	26.5	357.5	4.0	2.77	12	142.78	107.0	2.08																										
SSER215-48		140																																																																																																																																		

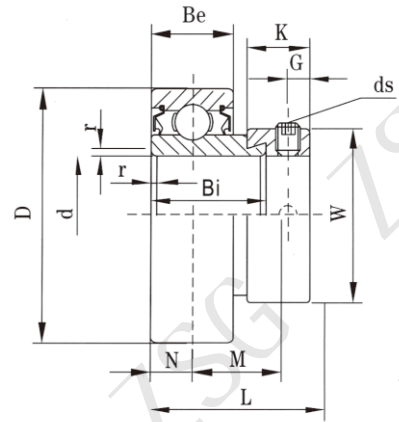
# 不锈钢外球面轴承

## STAINLESS STEEL BEARINGS

SSA200



SCSA200

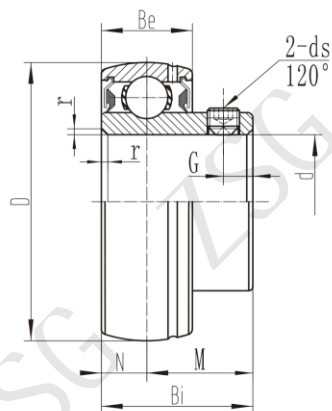


轴承型号 Bearing No.	轴径 Bore Dia		外形尺寸 (毫米) Dimensions (mm)										额定 动负荷 Basic Load Rating (kN)	额定 静负荷 Basic Static Load Rating (kN)	重量 Weight (kg)	
	d		D	Bi	Be	r	N	M	L	W	K	G				ds
	in	mm														
SSA201	1/2	12	40	19.1	12	0.8	6	13.1	28.6	28.6	13.5	5	M6×0.75	7.84	3.58	0.12
SSA201-8		15											1/4-28			
SSA202	5/8	15	40	19.1	12	0.8	6	13.1	28.6	28.6	13.5	5	M6×0.75	7.84	3.58	0.11
SSA202-10		17											1/4-28			
SSA203	11/16	17	40	19.1	12	0.8	6	13.1	28.6	28.6	13.5	5	M6×0.75	7.84	3.58	0.10
SSA203-11		20											1/4-28			
SSA204	3/4	20	47	21.5	14	1	7	14.5	31	33.3	13.5	5	M6×0.75	10.37	5.04	0.15
SSA204-12		25											1/4-28			
SSA205	7/8	25	52	21.5	15	1.2	7.5	14	31	38.1	13.5	5	M6×0.75	11.31	5.97	0.18
SSA205-14		15/16											1			
SSA205-15	1	15/16	52	21.5	15	1.2	7.5	14	31	38.1	13.5	5	1/4-28	11.31	5.97	0.19
SSA205-16		1											1			
SSA206	1-1/16	30	62	23.8	16	1.2	8	15.8	35.7	44.5	15.9	6	M8×1	15.73	8.64	0.30
SSA206-17		1-1/8											5/16-24			
SSA206-18	1-3/16	30	62	23.8	16	1.2	8	15.8	35.7	44.5	15.9	6	5/16-24	15.73	8.64	0.32
SSA206-19		1-1/4											5/16-24			
SSA206-20	1-1/4	30	62	23.8	16	1.2	8	15.8	35.7	44.5	15.9	6	M8×1	15.73	8.64	0.29
SSA207	1-1/4	35											5/16-24			
SSA207-20	1-5/16	35	72	25.4	17	1.5	8.5	16.9	38.9	55.6	17.5	6.5	M8×1	20.83	11.68	0.55
SSA207-21		1-3/8											5/16-24			
SSA207-22	1-7/16	35	72	25.4	17	1.5	8.5	16.9	38.9	55.6	17.5	6.5	5/16-24	20.83	11.68	0.50
SSA207-23		1-3/8											5/16-24			
SSA208	1-1/2	40	80	30.2	18	1.5	9	21.2	43.7	60.3	18.3	6.5	M8×1	23.55	13.6	0.63
SSA208-24		1-9/16											5/16-24			
SSA208-25	1-9/16	40	80	30.2	18	1.5	9	21.2	43.7	60.3	18.3	6.5	5/16-24	23.55	13.6	0.65
SSA209	1-5/8	45											M8×1			
SSA209-26	1-11/16	45	85	30.2	19	1.8	9.5	20.7	43.7	63.5	18.3	6.5	M8×1	26.44	19.56	0.74
SSA209-27		1-3/4											5/16-24			
SSA209-28	1-3/4	45	85	30.2	19	1.8	9.5	20.7	43.7	63.5	18.3	6.5	5/16-24	26.44	19.56	0.67
SSA210	1-13/16	50											M8×1			
SSA210-29	1-7/8	50	90	30.2	20	1.8	10	20.2	43.7	69.9	18.3	6.5	M8×1	30.01	22.53	0.90
SSA210-30		1-15/16											3/8-24			
SSA210-31	2	50	90	30.2	20	1.8	10	20.2	43.7	69.9	18.3	6.5	3/8-24	30.01	22.53	0.83
SSA210-32		2											3/8-24			
SSA211	2	55	100	32.5	21	2	10.5	22	48.4	76.2	20.7	8	M10×1.25	32.39	24	0.77
SSA211-32		2											3/8-24			
SSA211-33	2-1/16	55	100	32.5	21	2	10.5	22	48.4	76.2	20.7	8	3/8-24	32.39	24	0.91
SSA211-34		2-1/6											3/8-24			
SSA211-35	2-3/16	55	100	32.5	21	2	10.5	22	48.4	76.2	20.7	8	3/8-24	32.39	24	0.81
SSA212	2-7/16	60											M10×1.25			
SSA212-36	2-1/4	60	110	37.2	22	2	11	26.2	53.1	84.2	22.3	8	M10×1.25	35.28	26.18	1.00
SSA212-37		2-5/16											3/8-24			
SSA212-38	2-3/8	60	110	37.2	22	2	11	26.2	53.1	84.2	22.3	8	3/8-24	35.28	26.18	0.99
SSA212-39		2-7/16											3/8-24			

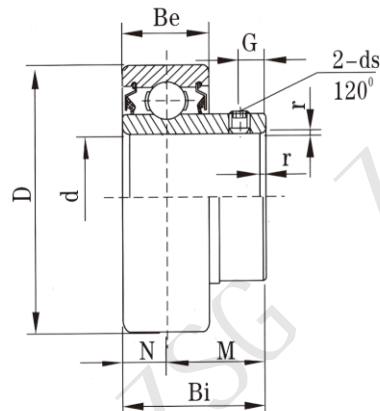
# 不锈钢外球面轴承

## STAINLESS STEEL BEARINGS

SSB200



SCSB200

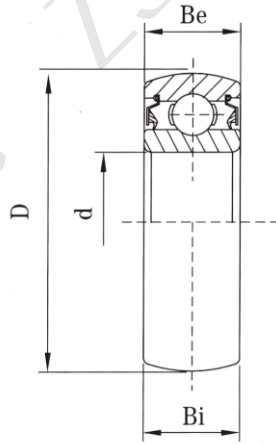


轴承型号 Bearing No.	轴径 Bore Dia		外形尺寸 (毫米) Dimensions (mm)							额定 动负荷 Basic Load Rating (kN)	额定 静负荷 Basic Static Load Rating (kN)	重量 Weight (kg)	
	d		D	Bi	Be	r	N	M	G				ds
	in	mm											
SSB201	1/2	12	40	22	12	1	6	16	4.5	M5×0.8	7.82	3.58	0.10
SSB201-8		10-32											
SSB202	5/8	15	40	22	12	1	6	16	4.5	M5×0.8	7.82	3.58	0.09
SSB202-10		10-32											
SSB203	11/16	17	40	22	12	1	6	16	4.5	M5×0.8	7.82	3.58	0.08
SSB203-11		10-32											
SSB204	3/4	20	47	25	14	1	7	18	5	M6×0.75	10.37	5.04	0.12
SSB204-12		1/4-28											
SSB205	7/8	25	52	27	15	1.2	7.5	19.5	5.5	M6×0.75	11.31	5.97	0.17
SSB205-14		1/4-28											
SSB205-15	15/16	25	52	27	15	1.2	7.5	19.5	5.5	M6×0.75	11.31	5.97	0.17
SSB205-16	1												
SSB206	1-1/16	30	62	30	16	1.2	8	22	6	M6×0.75	15.73	8.64	0.25
SSB206-17		1-1/8											
SSB206-18	1-3/16	30	62	30	16	1.2	8	22	6	M6×0.75	15.73	8.64	0.26
SSB206-19	1-3/16												
SSB206-20	1-1/4	30	62	30	16	1.2	8	22	6	M6×0.75	15.73	8.64	0.23
SSB207	1-1/4												
SSB207-20	1-1/4	35	72	32	17	1.5	8.5	23.5	6	M8×1	20.83	11.68	0.41
SSB207-21	1-5/16												
SSB207-22	1-3/8	35	72	32	17	1.5	8.5	23.5	6	M8×1	20.83	11.68	0.37
SSB207-23	1-7/16												
SSB208	1-1/2	40	80	34	18	1.5	9	25	7	M8×1	23.55	13.6	0.45
SSB208-24		1-9/16											
SSB208-25	1-9/16	40	80	34	18	1.5	9	25	7	M8×1	23.55	13.6	0.45
SSB209	1-1/2												
SSB209	1-5/8	45	85	41.2	19	1.5	10.2	31	8	M8×1	26.44	19.56	0.8
SSB209-26		1-11/16											
SSB209-27	1-11/16	45	85	41.2	19	1.5	10.2	31	8	M8×1	26.44	19.56	0.8
SSB209-28	1-3/4												
SSB210	1-13/16	50	90	43.5	20	1.5	10.9	32.6	9.5	M8×1	30.01	22.53	0.87
SSB210-29		1-7/8											
SSB210-30	1-15/16	50	90	43.5	20	1.5	10.9	32.6	9.5	M8×1	30.01	22.53	0.87
SSB210-31	2												
SSB210-32	2	55	100	45.3	21	1.5	11.8	33.5	10	M10×1.25	32.39	24	1.1
SSB211	2-1/16												
SSB211-32	2-1/16	55	100	45.3	21	1.5	11.8	33.5	10	M10×1.25	32.39	24	1.1
SSB211-33	2-1/8												
SSB211-34	2-1/8	55	100	45.3	21	1.5	11.8	33.5	10	M10×1.25	32.39	24	1.1
SSB211-35	2-3/16												
SSB212	2-1/4	60	110	53.7	22	1.8	14.9	38.8	10	M10×1.25	35.28	26.18	1.3
SSB212-36		2-5/16											
SSB212-37	2-3/8	60	110	53.7	22	1.8	14.9	38.8	10	M10×1.25	35.28	26.18	1.3
SSB212-38	2-7/16												
SSB212-39	2-7/16	60	110	53.7	22	1.8	14.9	38.8	10	M10×1.25	35.28	26.18	1.3
SSB212-39	2-7/16												

# 不锈钢外球面轴承

## STAINLESS STEEL BEARINGS

SSC200

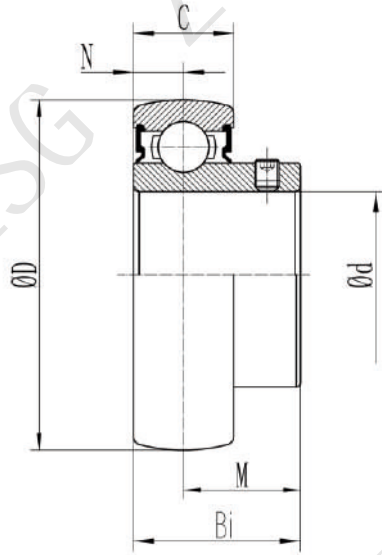


轴承型号 Bearing No.	轴径 Bore Dia		外形尺寸 (毫米) Dimensions (mm)				额定 动负荷 Basic Load Rating (kN)	额定 静负荷 Basic Static Load Rating (kN)	重量 Weight (kg)
	d		d		d				
	in	mm	in	mm	in	mm			
SSC203	0.6693	17	1.5748	40	0.4724	12	5.95	3.58	0.065
SSC204	0.7874	20	1.8504	47	0.5512	14	8.40	4.96	0.11
SSC205	0.9843	25	2.0472	52	0.5906	15	9.16	5.58	0.18
SSC206	1.1811	30	2.4409	62	0.6299	16	12.72	8.03	0.20
SSC207	1.3780	35	2.8346	72	0.6693	17	16.79	10.94	0.30
SSC208	1.5748	40	3.1496	80	0.7087	18	19.30	12.75	0.37
SSC209	1.7717	45	3.3465	85	0.7480	19	20.71	14.17	0.43
SSC210	1.9685	50	3.5433	90	0.7874	20	22.93	15.87	0.46
SSC211	2.1653	55	3.9370	100	0.8267	21	24.33	17.48	0.62
SSC212	2.3622	60	4.3307	110	0.8661	22	26.95	19.6	0.80

# 不锈钢外球面轴承

## STAINLESS STEEL BEARINGS

SK000

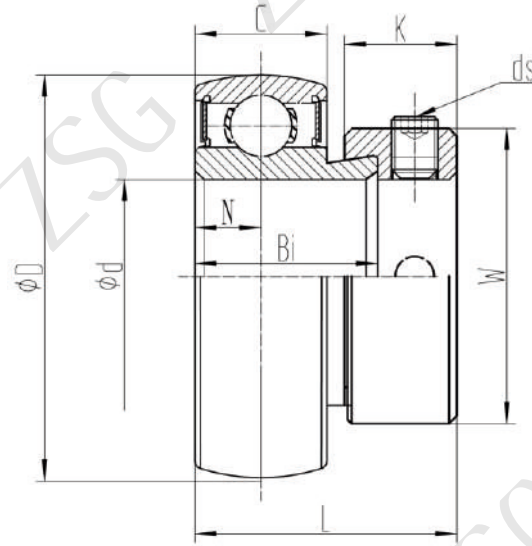


轴承型号 Bearing No.	轴径 Bore Dia	外形尺寸 (毫米) Dimensions (mm)					额定 动负荷 Basic Load Rating (kN)	额定 静负荷 Basic Static Load (kN)	重量 Weight (kg)
	d mm	D	B <sub>i</sub>	C	N	M			
SK000	10	26	14	8	4	10	3.9	1.55	0.022
SK001	12	28	14.5	8	4	10.5	4.3	1.9	0.024
SK002	15	32	16.5	9	4.5	12	4.75	2.25	0.034
SK003	17	35	17.5	10	5	12.5	5.1	2.65	0.047
SK004	20	42	21	12	6	15	7.9	4	0.081
SK005	25	47	22.5	12	6	16.5	8.6	4.65	0.10
SK006	30	55	24.5	13	6.5	18	11.3	6.6	0.145
SK007	35	62	29.5	14	7	22.5	13.6	8.8	0.205

# 不锈钢外球面轴承

## STAINLESS STEEL BEARINGS

SU000

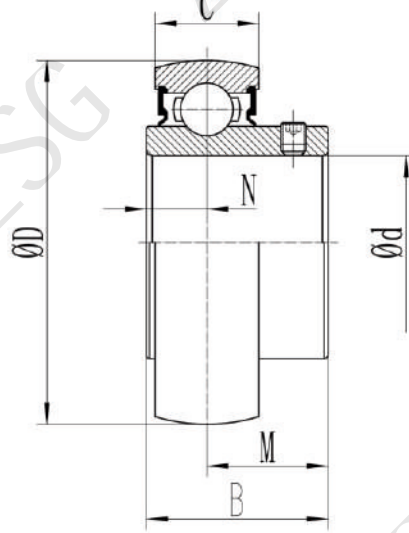


轴承型号 Bearing No.	轴径 Bore Dia	外形尺寸 (毫米) Dimensions (mm)								额定 动负荷 Basic Load Rating (kN)	额定 静负荷 Basic Static Load (kN)	重量 Weight (kg)
	d mm	D	Bi	C	N	K	W	L	ds			
SU000	10	26	11	8	4	8.5	17	17.5	M4×0.7	3.9	1.55	0.027
SU001	12	28	11	8	4	8.5	19	17.5	M4×0.7	4.3	1.9	0.031
SU002	15	32	12	9	4.5	8.5	22	18.5	M4×0.7	4.75	2.25	0.040
SU003	17	35	13.5	10	5	9.5	25	20.5	M4×0.7	5.1	2.65	0.057
SU004	20	42	16.5	12	6	11	30	24.5	M5×0.8	7.9	4	0.097
SU005	25	47	17.5	12	6	12	36	25.5	M5×0.8	8.6	4.65	0.121
SU006	30	55	18.5	13	6.5	12	42	26.5	M5×0.8	11.3	6.6	0.171
SU007	35	62	20	14	7	13.5	48	29.5	M6×1	13.6	8.8	0.250

# 外球面球轴承

## BALL BEARING INSERTS

K000

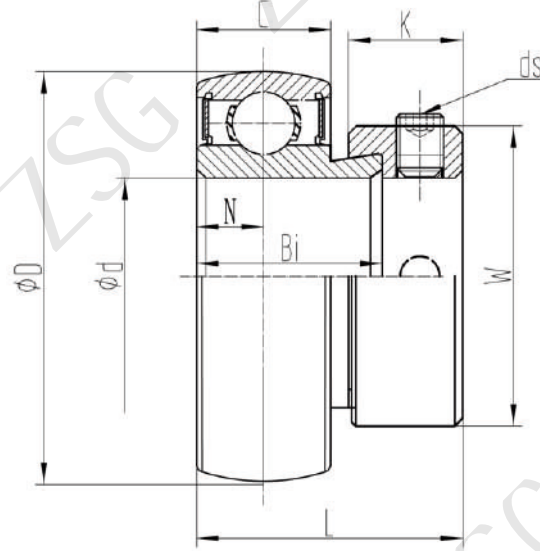


轴承型号 Bearing No.	轴径 Bore Dia	外形尺寸 (毫米) Dimensions (mm)					额定 动负荷 Basic Load Rating (kN)	额定 静负荷 Basic Static Load (kN)	重量 Weight (kg)
	d mm	D	Bi	C	N	M			
K08	8	22	11.5	7	3.5	8	3.3	1.26	0.014
K000	10	26	15	8	4	11	4.6	2	0.021
K001	12	28	15	8	5	10	5.1	2.4	0.025
K002	15	32	16.5	9	5.5	11	5.6	2.8	0.035
K003	17	35	17.5	10	6	11.5	6	3.3	0.048
K004	20	42	21	12	7	14	9.35	5.1	0.082
K005	25	47	22.5	12	7	15.5	10.1	5.8	0.100
K006	30	55	24.5	13	7.5	17	13.2	8.3	0.151
K007	35	62	29.5	14	8	21.5	14.3	9.6	0.205

# 外球面球轴承

## BALL BEARING INSERTS

U000



轴承型号 Bearing No.	轴径 Bore Dia	外形尺寸 (毫米) Dimensions (mm)								额定 动负荷 Basic Load Rating (kN)	额定 静负荷 Basic Static Load (kN)	重量 Weight (kg)
	d mm	D	Bi	C	N	K	W	L	ds			
U000	10	26	11	8	4	8.5	17	17.5	M4×0.7	4.6	2	0.028
U001	12	28	11	8	4	8.5	19	17.5	M4×0.7	5.1	2.4	0.030
U002	15	32	12	9	4.5	8.5	22	18.5	M4×0.7	5.6	2.8	0.041
U003	17	35	13.5	10	5	9.5	25	20.5	M4×0.7	6	3.3	0.057
U004	20	42	16.5	12	6	11	30	24.5	M5×0.8	9.35	5.1	0.095
U005	25	47	17.5	12	6	12	36	25.5	M5×0.8	10.1	5.8	0.125
U006	30	55	18.5	13	6.5	12	42	26.5	M6×1	13.2	8.3	0.168
U007	35	62	20	14	7	13.5	48	29.5	M6×1	14.3	9.6	0.237